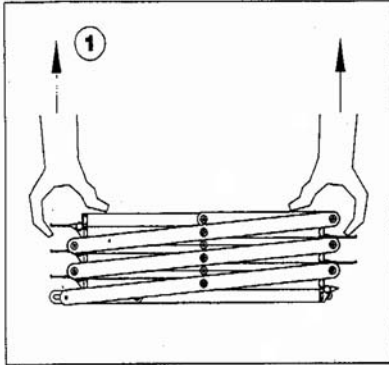
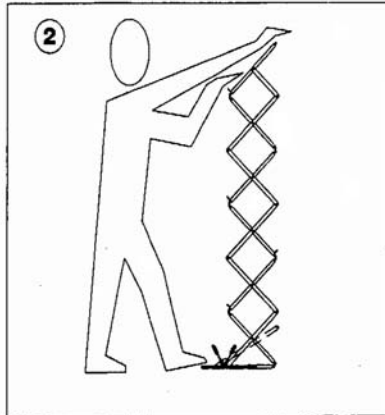


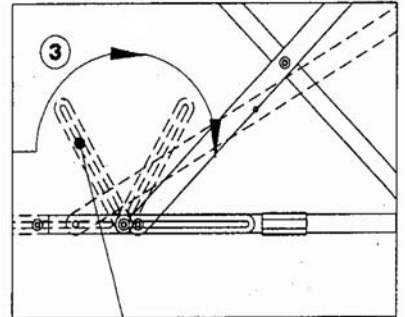
# STAND UP LITERATURE STAND SET UP INSTRUCTIONS



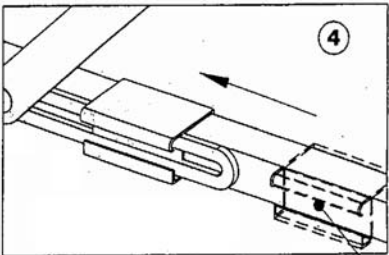
**1.** Take hold of both ends of the frame and lift upwards. **NEVER** hold the frame anywhere else.



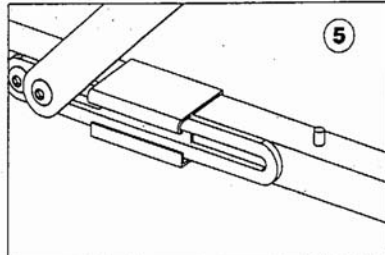
**2.** Place a foot on the base of the stand. Lift up as far as possible and tilt backwards then forwards a little to allow the locking mechanism to work.



**3.** The locking arm slides along the bottom framework.



**4.** To secure the stand, slide the lock over the locking arm with a foot.



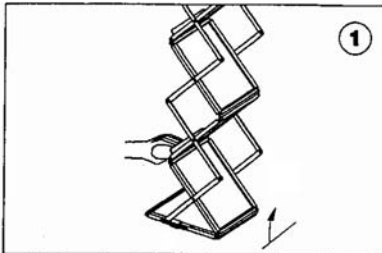
**5.** A split will automatically pop up and secure the lock in position.

**IMPORTANT!** Always use the lock when Stand is assembled.

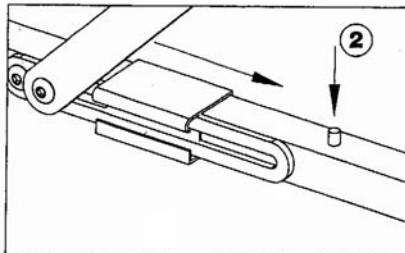


**WARNING!** Do Not hold the stand by the 'criss-cross' frame at any time. Risk of serious damage to hands may occur.

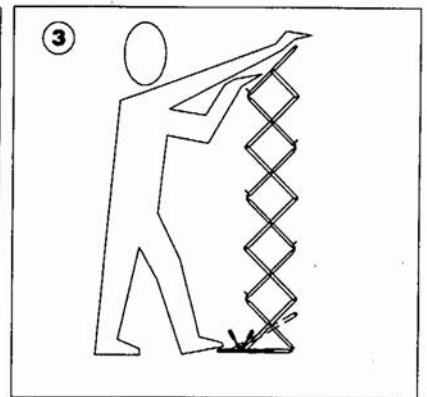
# STAND UP LITERATURE STAND DIS-ASSEMBLY INSTRUCTIONS



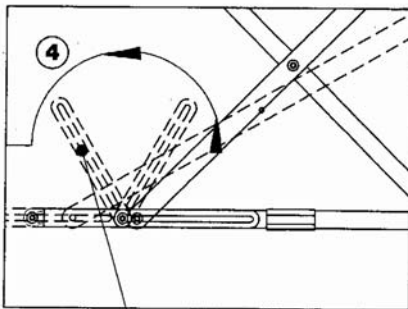
1. Gently tilt the stand by holding at the end of the frame.



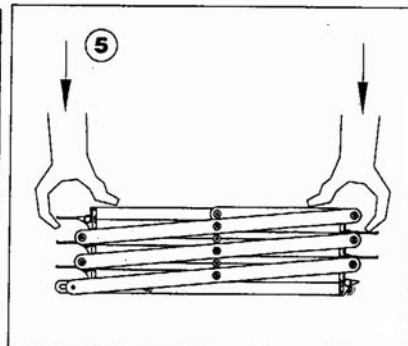
2. Push down on the split and slide the lock away from the locking arm using your hands. The lock should cover the split. To prevent accidents, stand up and hold the stand securely while using your foot to slide the lock all the way until it stops.  
**WARNING! The Stand is now unsecured and will crash down if released prematurely.**



3. Place a foot on the base of the stand. Lift up as far as possible and tilt backwards a little then forwards to allow the locking mechanism to unlock.



4. The locking arm slides along the bottom framework.



5. Slowly fold the stand together. take care not to get your fingers caught between the 'criss-cross' frame as it folds down.



**WARNING!** Do Not hold the stand by the 'criss-cross' frame at any time. Risk of serious damage to hands may occur.

