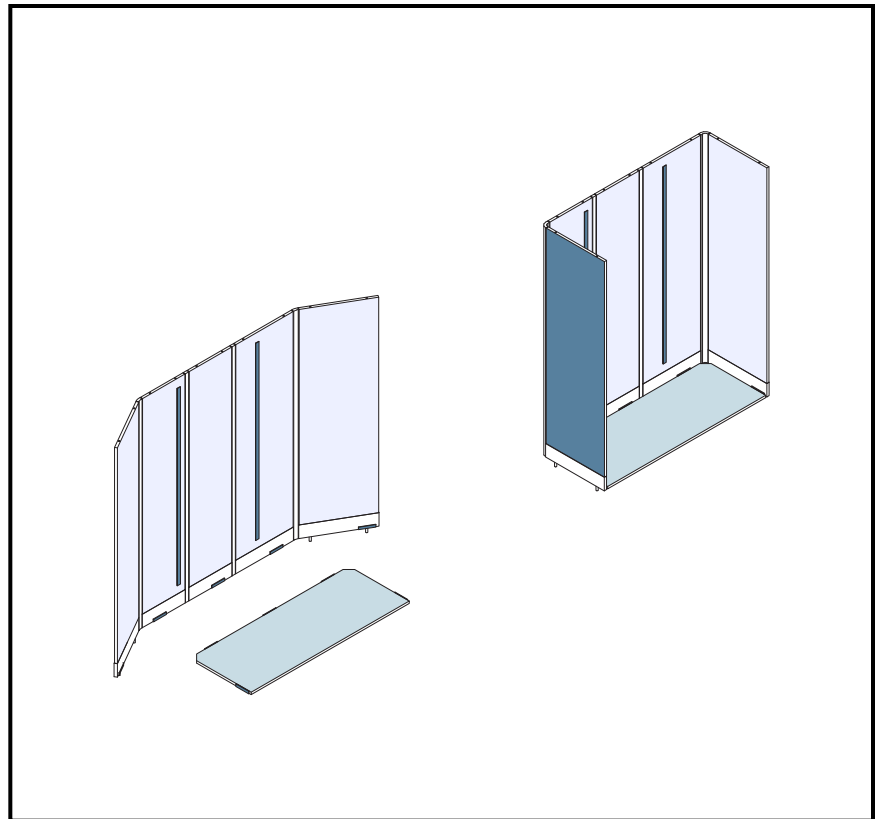


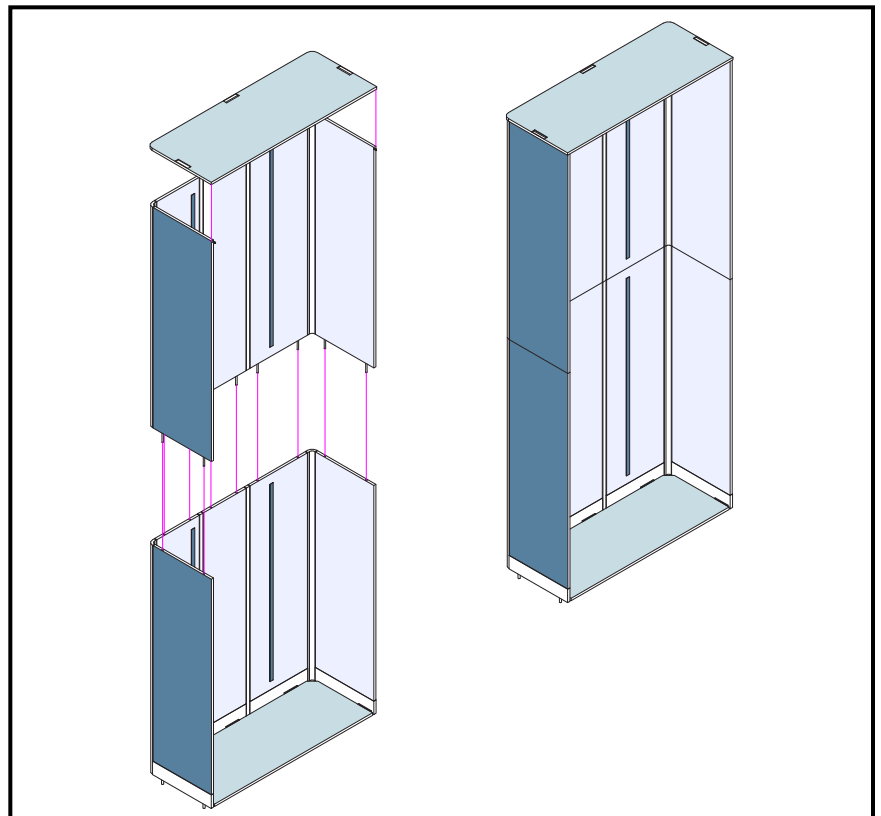
REFLECTIONS LIGHTBOX SETUP

Fold lower panel assembly around bottom shelf so that Velcro strips on panel assembly adhere to Velcro on panel.



Place top shelf over upper panel assembly as shown.

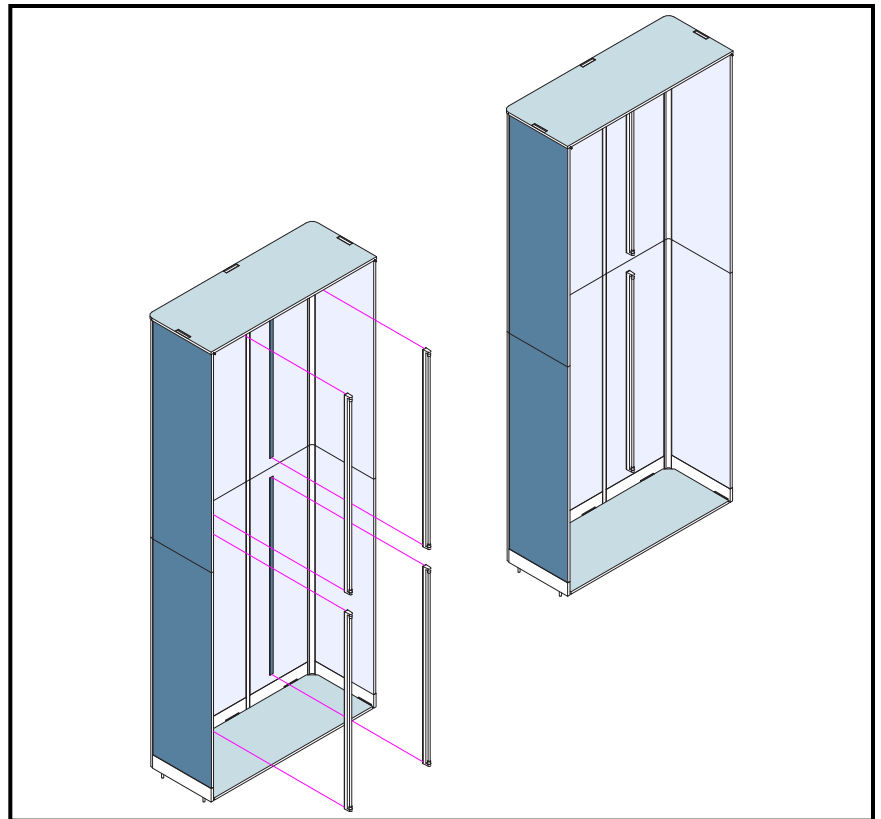
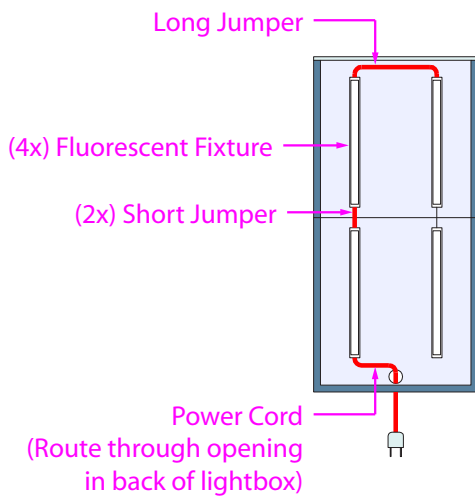
Lift upper panel assembly into place on top of lower panel assembly. Fit pins in upper panels into matching holes in lower panels to secure.



REFLECTIONS LIGHTBOX SETUP

Install light fixtures by adhering Velcro on back of fixtures to Velcro strips on inside of panels.

Install lighting power cords as indicated in diagram below.



Hang translucent graphic panel from lightbox by placing notched panel hangers at top of panel over pins at top of lightbox. Working from top to bottom, guide panel into place so that magnetic strips on panel align with and adhere to mag strips on front of lightbox. Adjust as required so that panel lies flat over front of lightbox.

