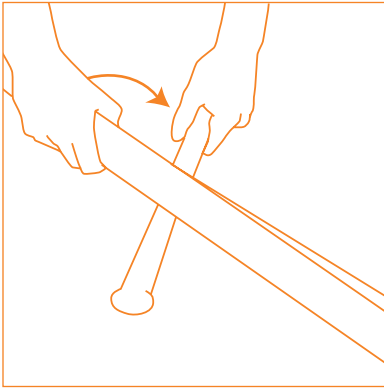
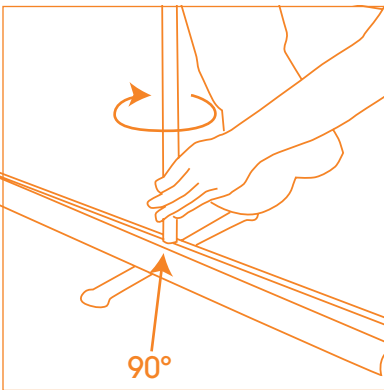


SETUP INSTRUCTIONS



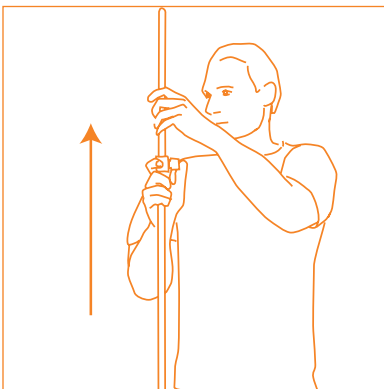
STEP 1 - GETTING STARTED

Open and turn the foot 90°



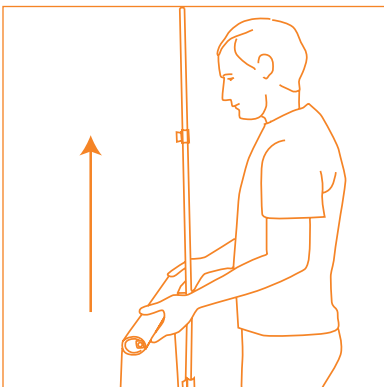
STEP 2 - BASE

Screw pole in base



STEP 3 - POLE

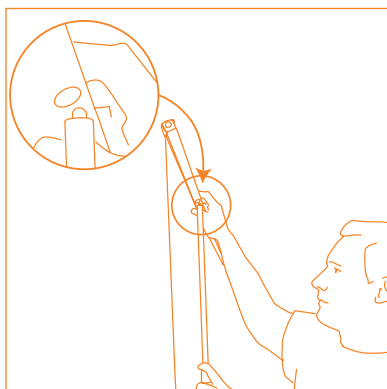
Extend lower pole and fasten the lock



STEP 4 - BANNER

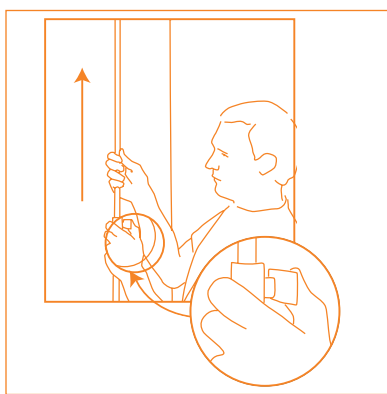
Unroll the banner to the fully extended length

SETUP INSTRUCTIONS



STEP 5 - TOP BAR

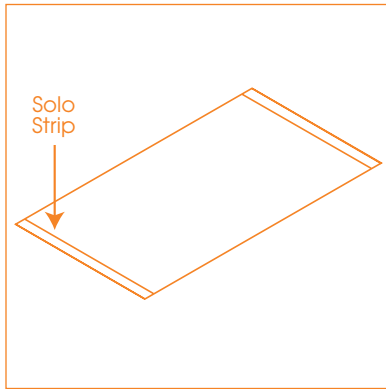
Insert the pole into the hole in the top bar



STEP 6 - UPPER POLE

Fully extend upper pole and fasten lock

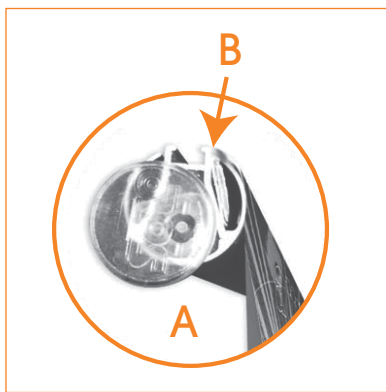
SETUP INSTRUCTIONS



REPLACEMENT GRAPHIC

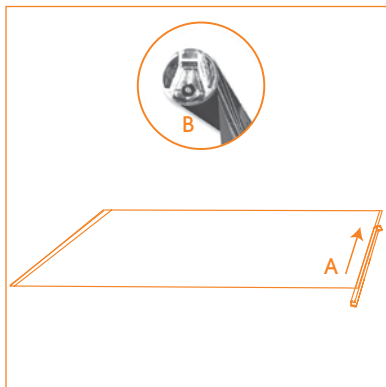
STEP 1 - UNROLL

Unroll your new Solo Banner so the Solo Strips are facing up.



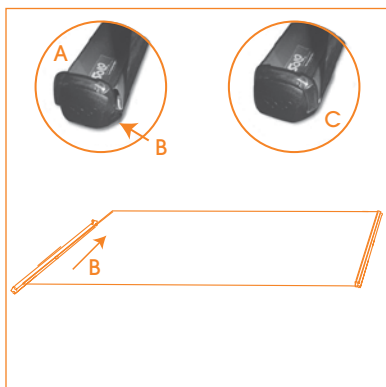
STEP 2 - TOP BAR

Swing open one end cap on the top bar (A) and slide the top edge of the old banner out (B).



STEP 3 - TOP BAR (some Déjà-Vu happening)

With the graphic facing out, slide in the top edge of the new banner into the top bar (A). Close the cap (B).



STEP 4 - BASE BAR

Lastly, swing open one end cap (A) on the base bar and slide the bottom edge of the new banner in with the graphic facing out (B). Close the cap (C).