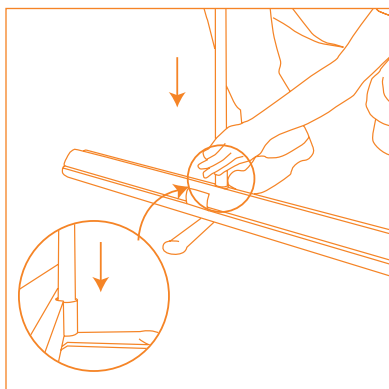
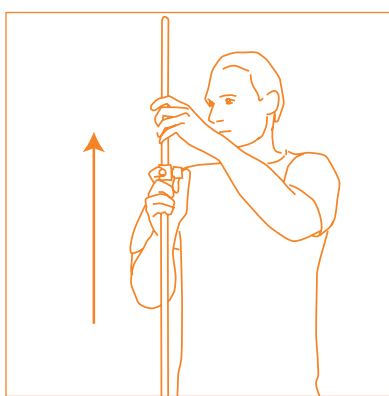


# SETUP INSTRUCTIONS



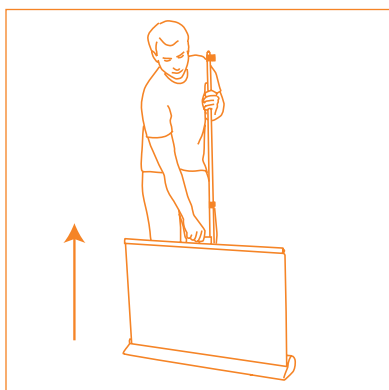
## STEP 1 - GETTING STARTED

Turn the foot 90° and attach the metal pole by inserting it into the base



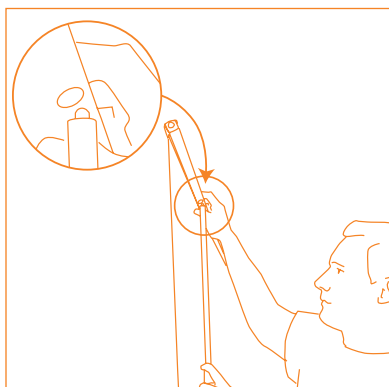
## STEP 2 - EXTEND IT

Extend lower pole and fasten lock



## STEP 3 - RAISE IT UP

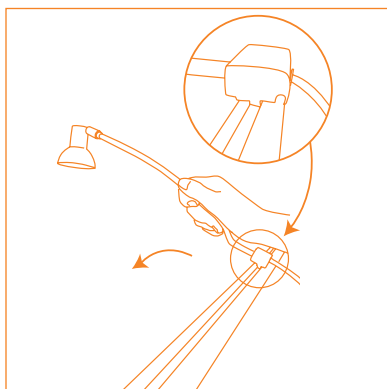
Pull banner from base



## STEP 4 - SIT IN PLACE

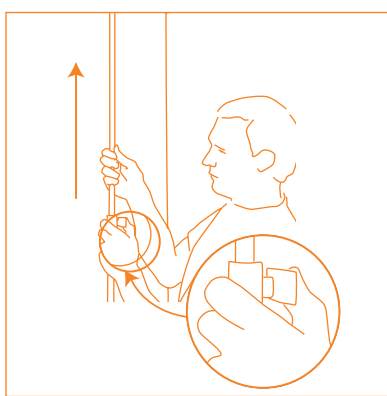
Insert pole into the hole in the top bar

# SETUP INSTRUCTIONS



## STEP 5 - LIGHT IT UP (If you have them)

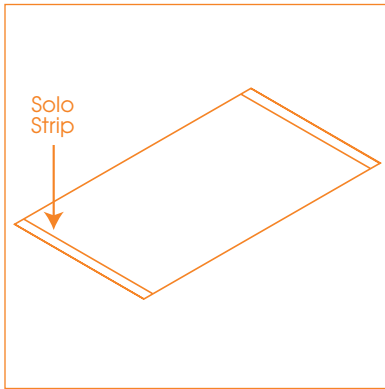
Attach the i-Lite to the top bar. It fits perfectly into the groove



## STEP 6 - LOCK IT UP

Fully extend upper pole and fasten lock

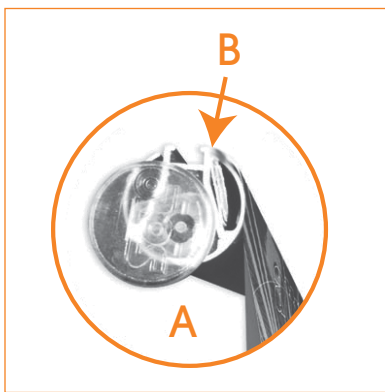
# SETUP INSTRUCTIONS



## REPLACEMENT GRAPHIC

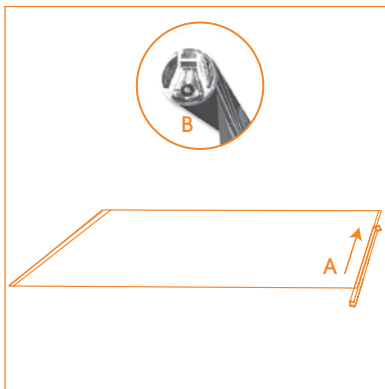
### STEP 1 - UNROLL

Unroll your new Solo Banner so the Solo Strips are facing up.



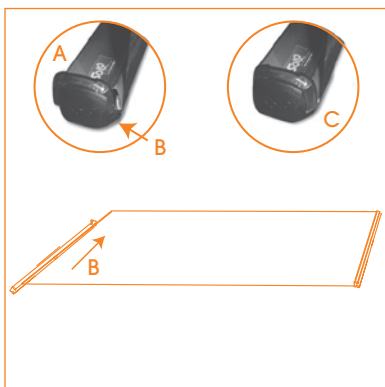
### STEP 2 - TOP BAR

Swing open one end cap on the top bar (A) and slide the top edge of the old banner out (B).



### STEP 3 - TOP BAR (some Déjà-Vu happening)

With the graphic facing out, slide in the top edge of the new banner into the top bar (A). Close the cap (B).



### STEP 4 - BASE BAR

Lastly, swing open one end cap (A) on the base bar and slide the bottom edge of the new banner in with the graphic facing out (B). Close the cap (C).