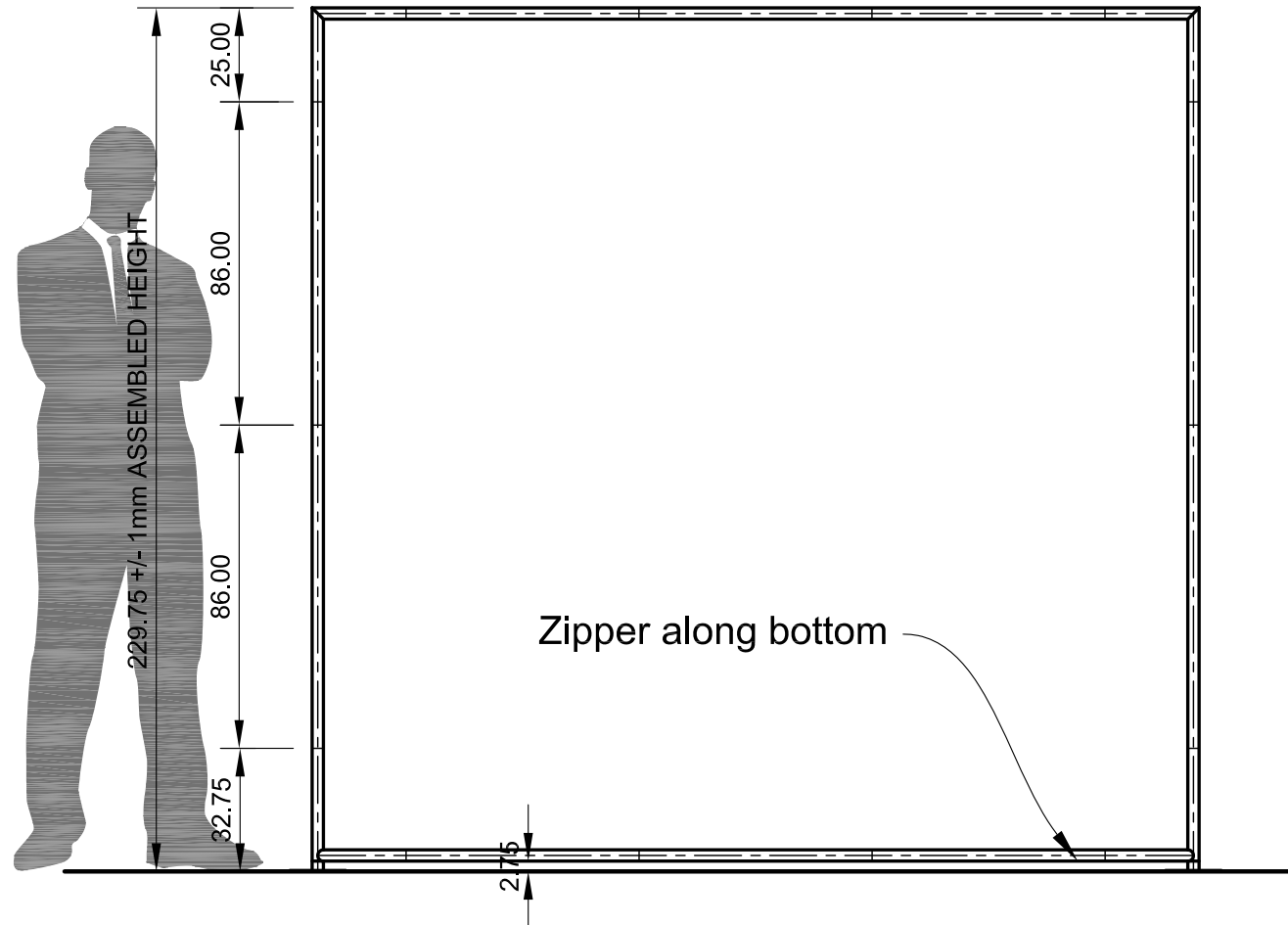
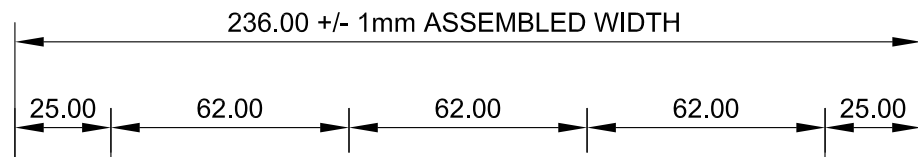
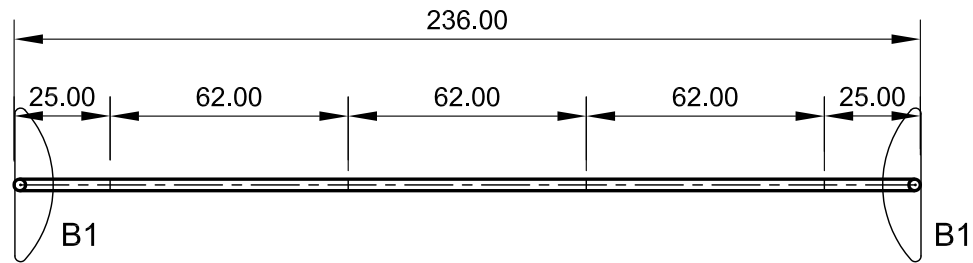
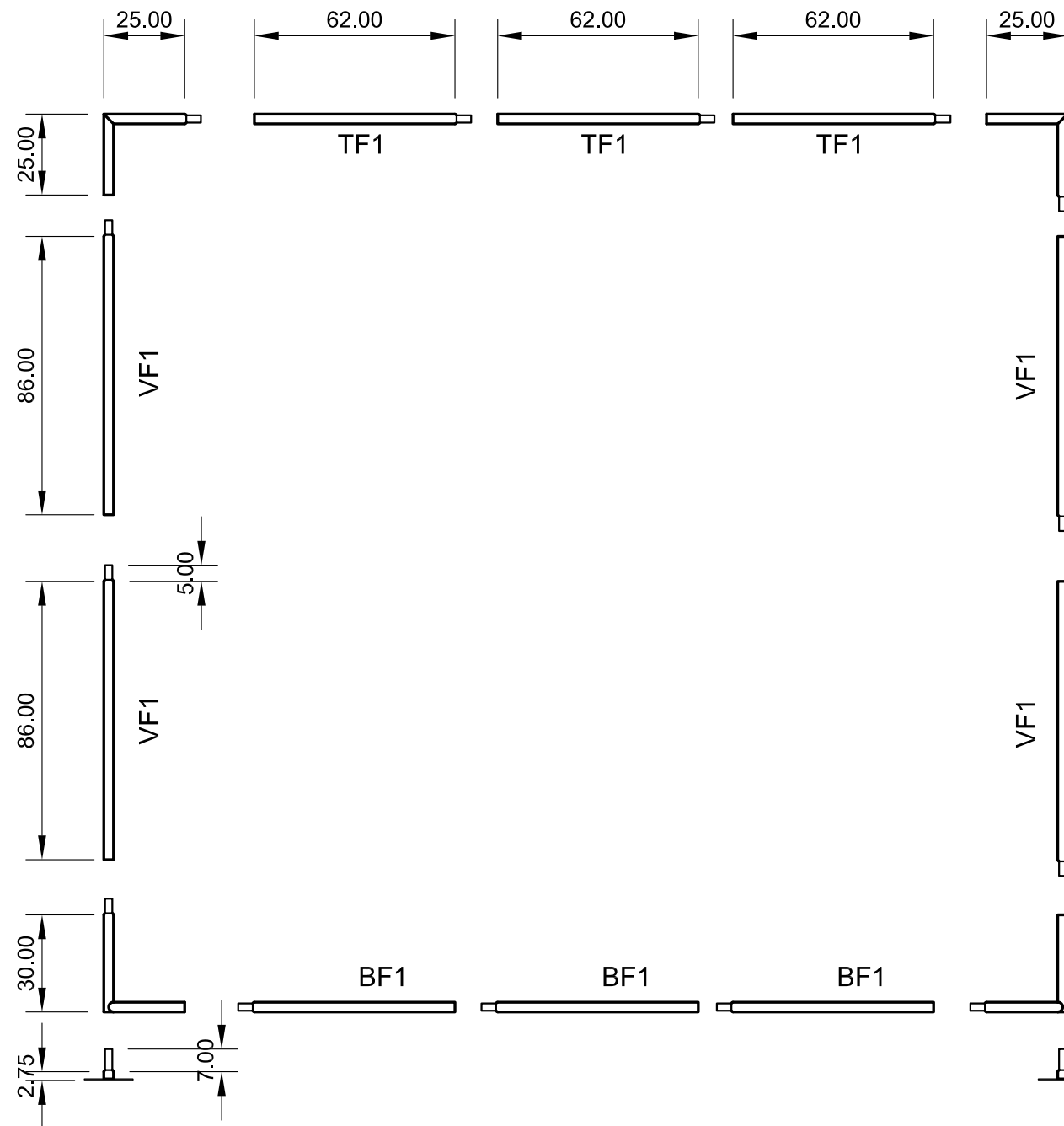


FOR IN-HOUSE REVIEW
DIMENSIONS IN CENTIMETER



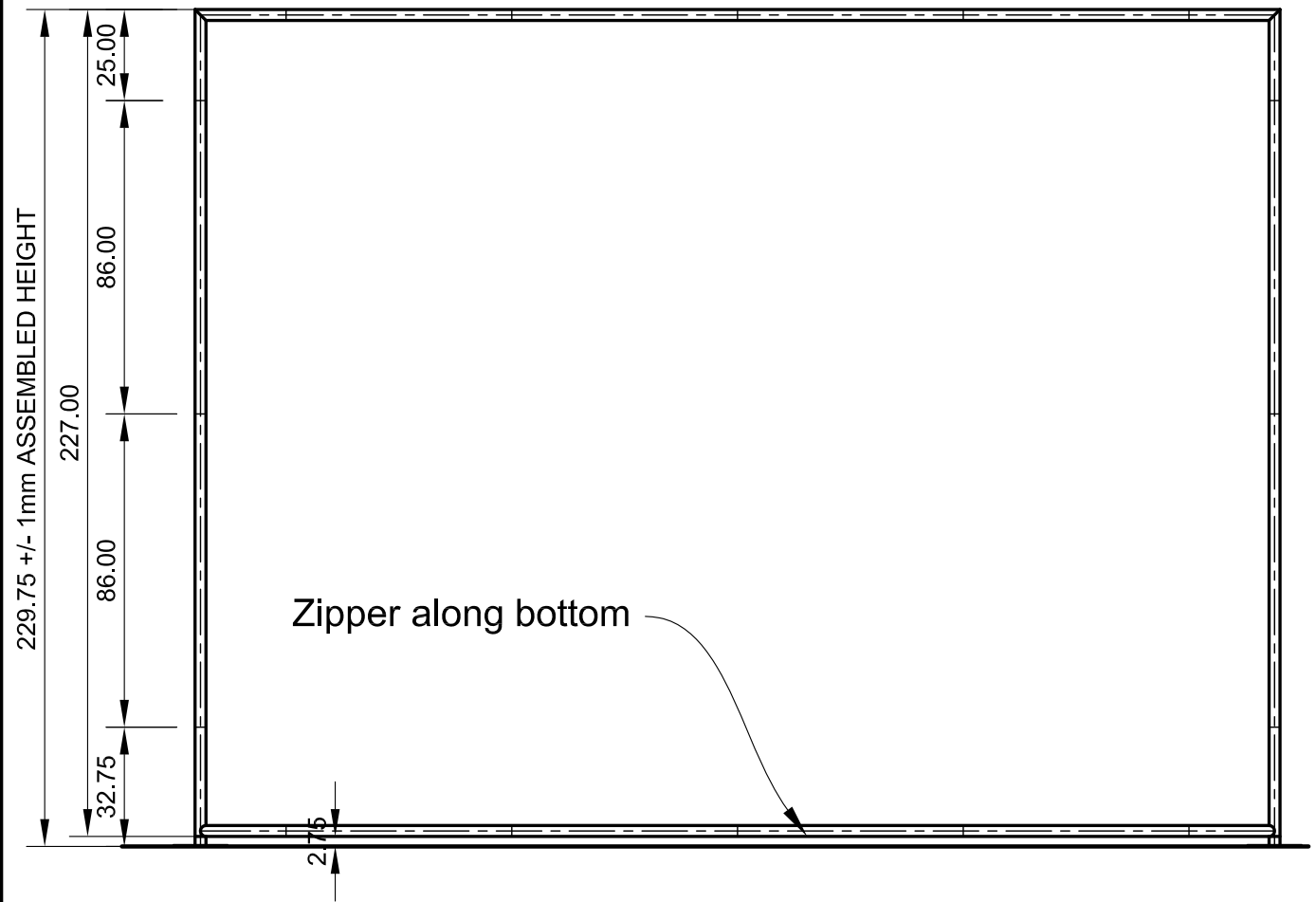
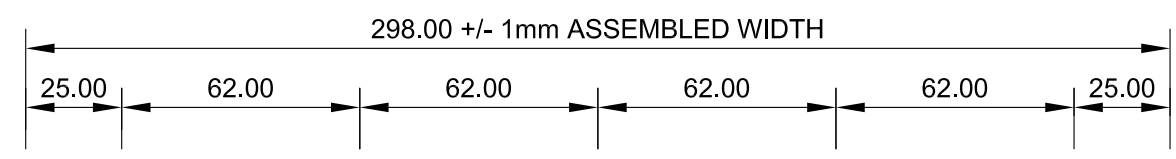
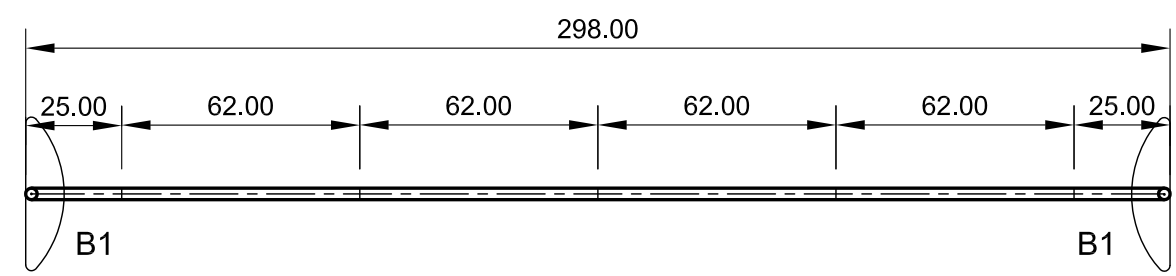
STRAIGHT WALL - 1
Scale: 1 : 50



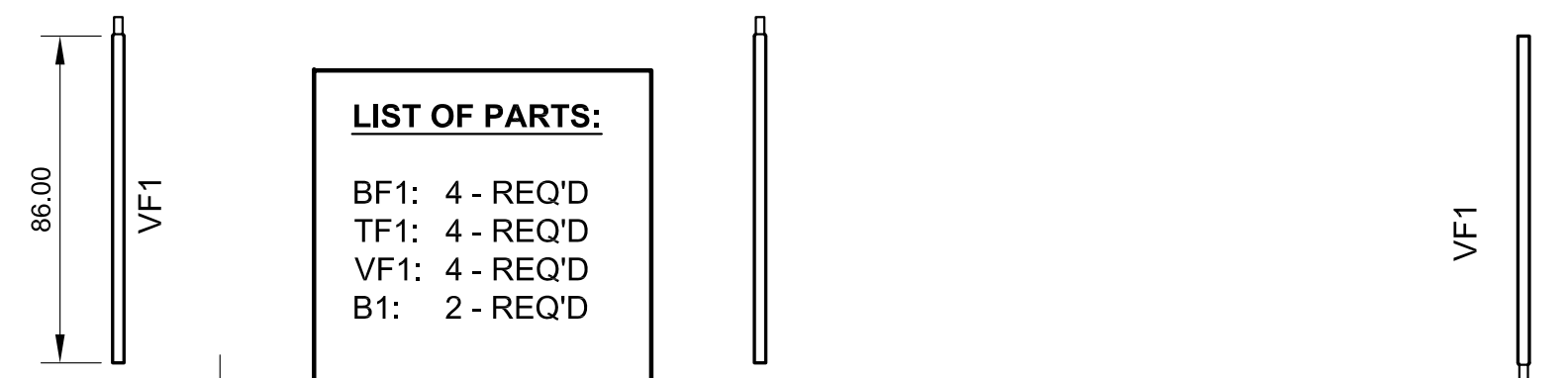
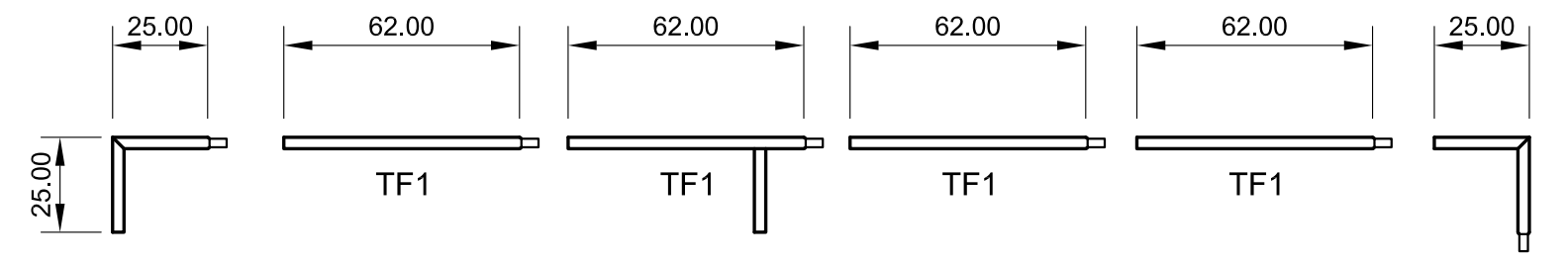
- LIST OF PARTS:**
- BF1: 3 - REQ'D
 - TF1: 3 - REQ'D
 - VF1: 4 - REQ'D
 - B1: 2 - REQ'D

EXPLODED ELEVATION
Scale: 1 : 50

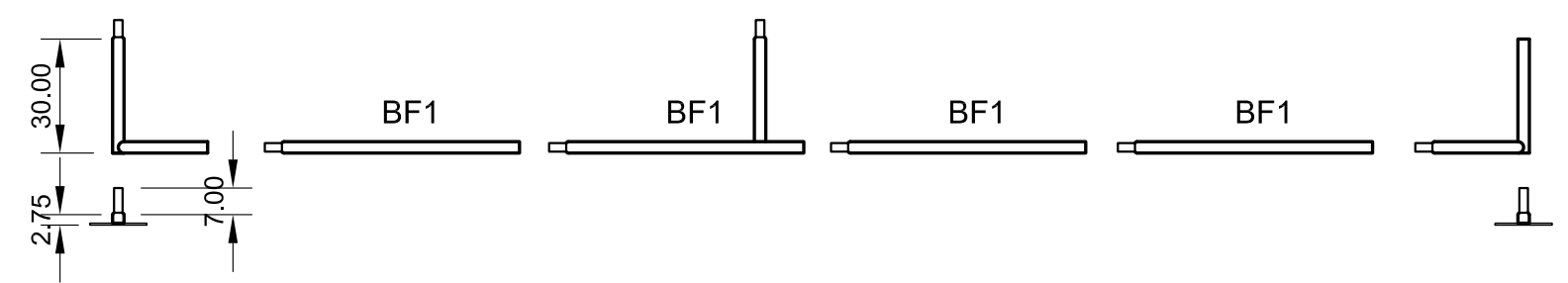
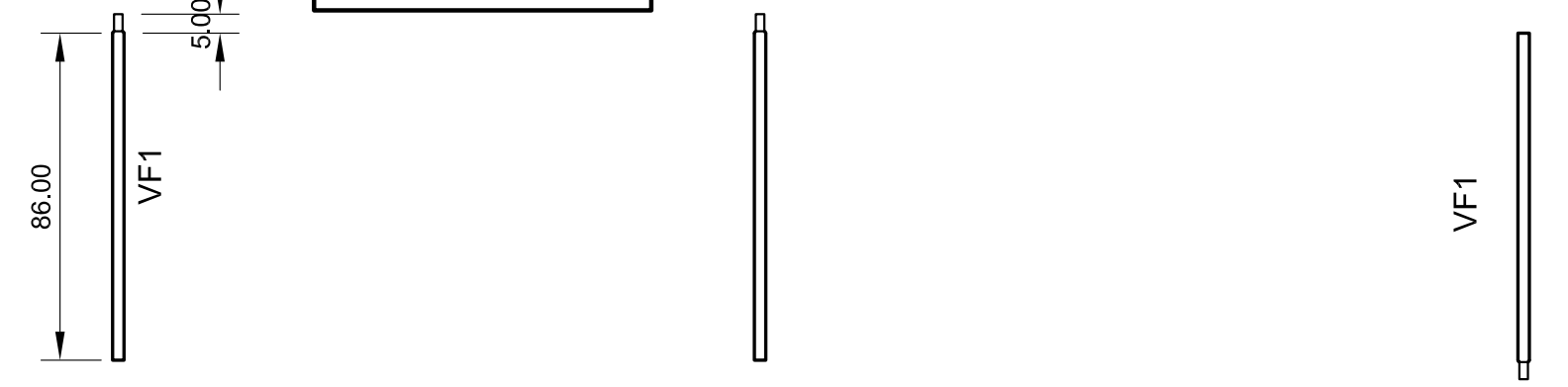
FOR IN-HOUSE REVIEW
DIMENSIONS IN CENTIMETER



STRAIGHT WALL - 2
Scale: 1 : 50



- LIST OF PARTS:**
- BF1: 4 - REQ'D
 - TF1: 4 - REQ'D
 - VF1: 4 - REQ'D
 - B1: 2 - REQ'D



EXPLODED ELEVATION
Scale: 1 : 50



Actual product may not be exactly as shown. All drawings, specifications, designs and arrangements represented herein are the property of Extension Concepts, and no part thereof shall be copied, disclosed to others, or used in any form whatsoever including any work or project for which they have been prepared, without the express written consent of Extension Concepts.

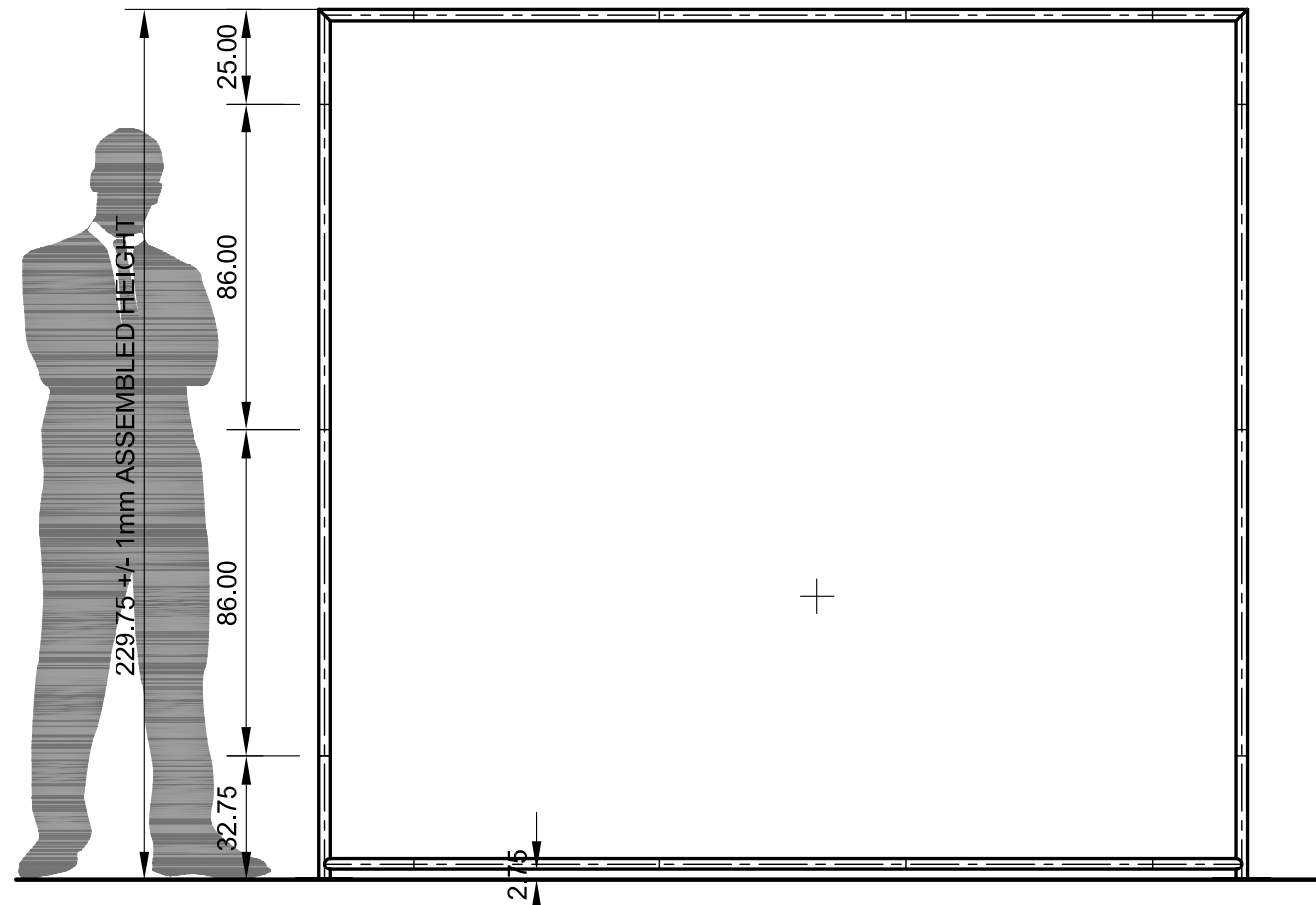
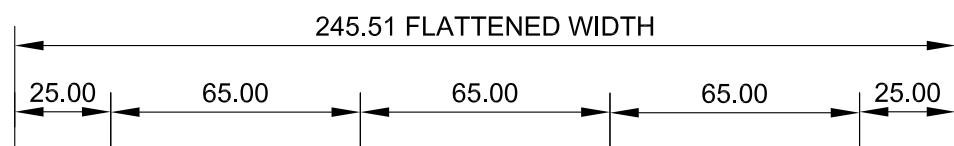
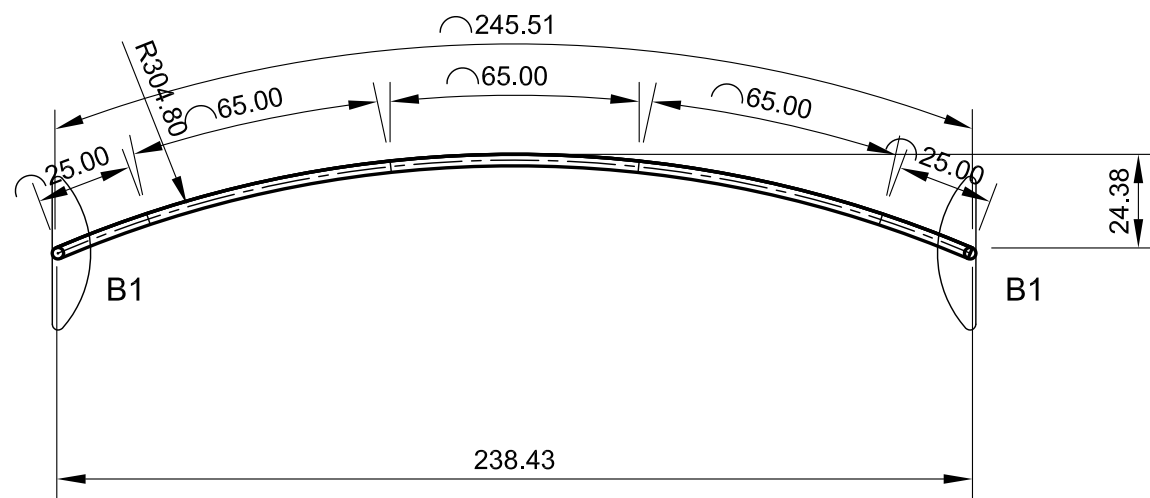
PROJECT:	STANDARD TENSION FABRIC WALL
CLIENT:	-
ADDRESS:	-

DRAWING:	STRAIGHT WALL - 2
----------	-------------------

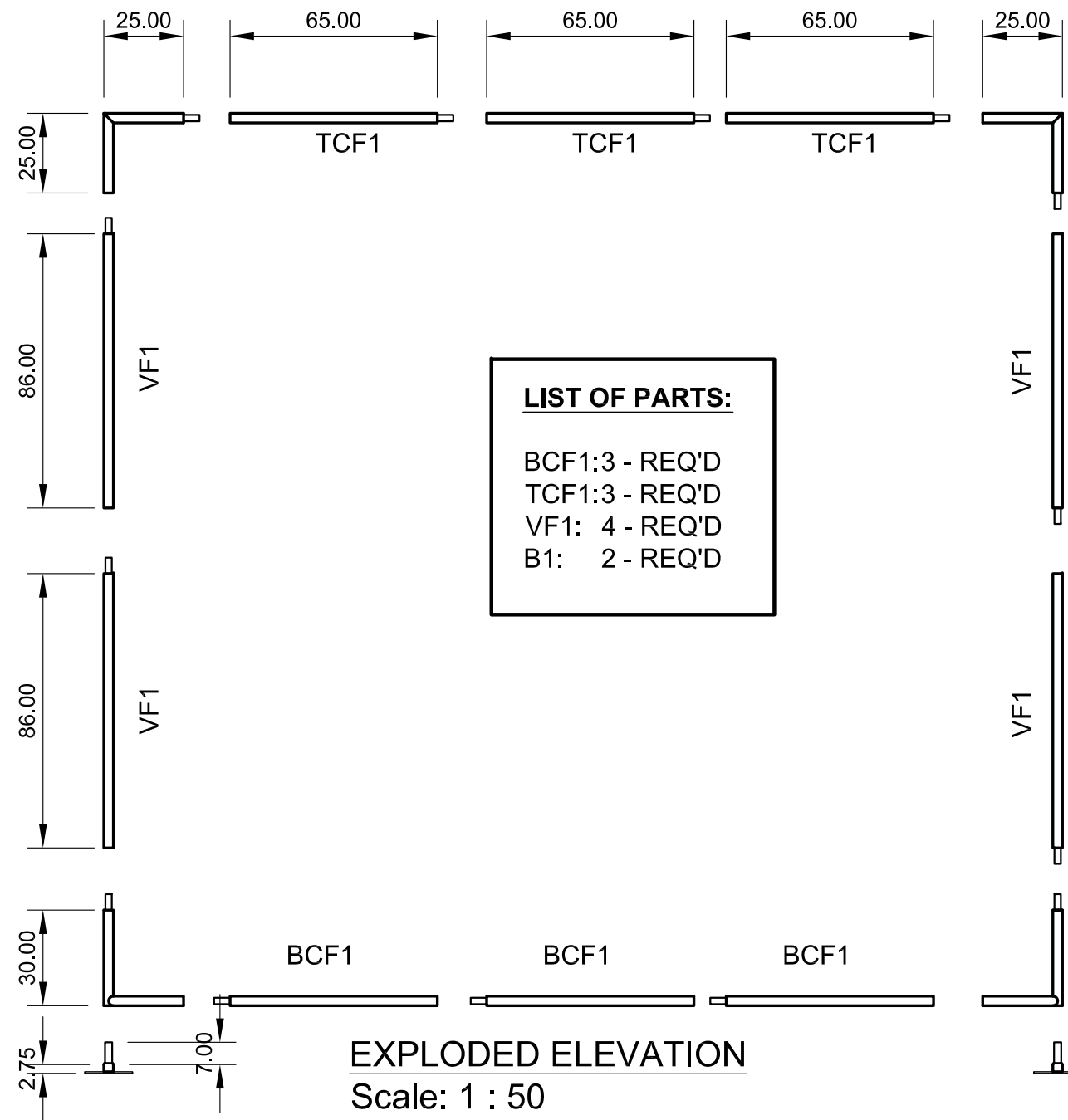
DRAWN BY:	SRR	DATE:	11/28/2013
APPROVED BY:		DATE:	
REVISION:	01	DATE:	03/06/2014
REVISION:	02	DATE:	04/21/2014
REVISION:		DATE:	

SHEET NUMBER:
A-2

FOR IN-HOUSE REVIEW
DIMENSIONS IN CENTIMETER



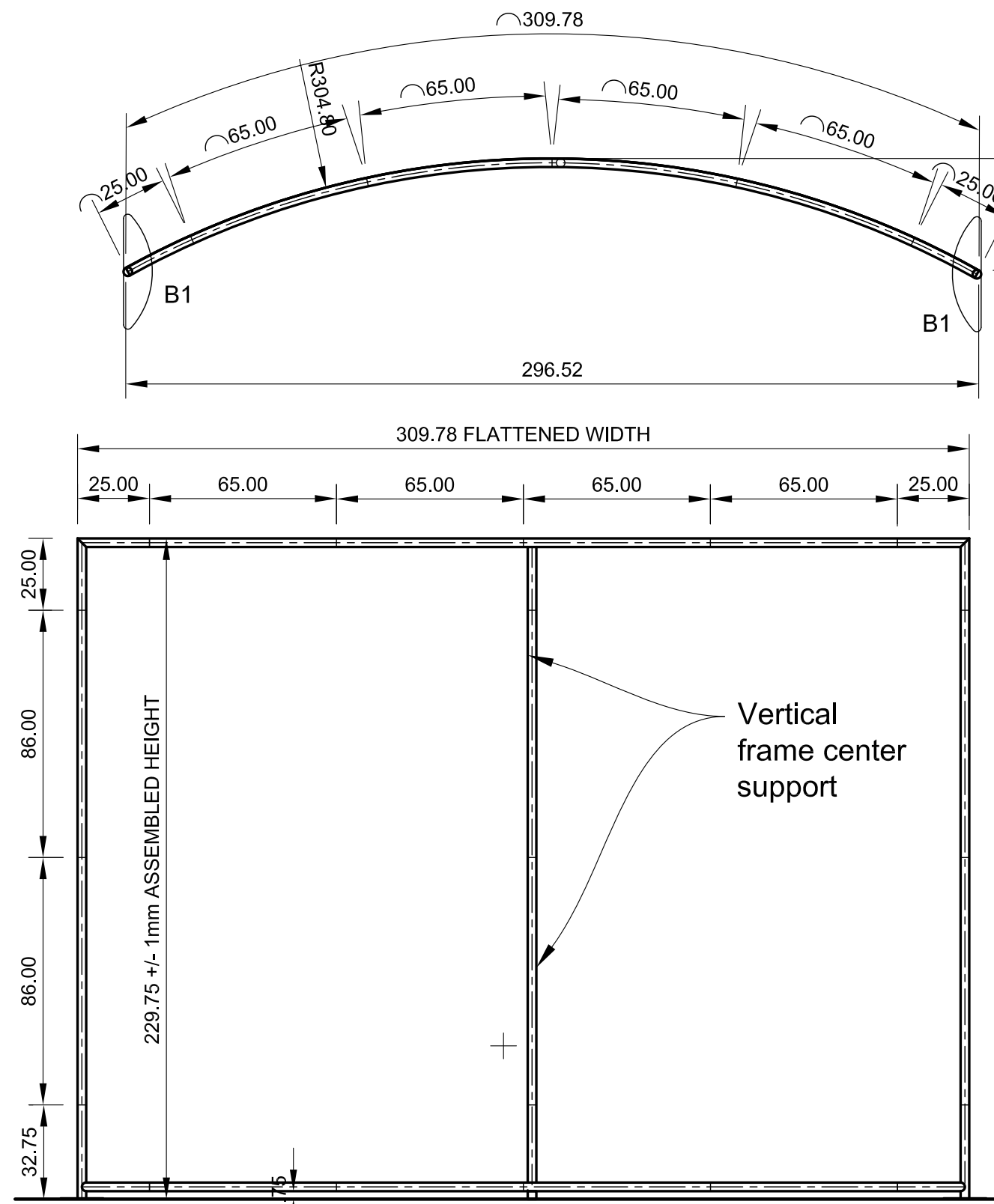
CURVED WALL - 1
Scale: 1 : 50



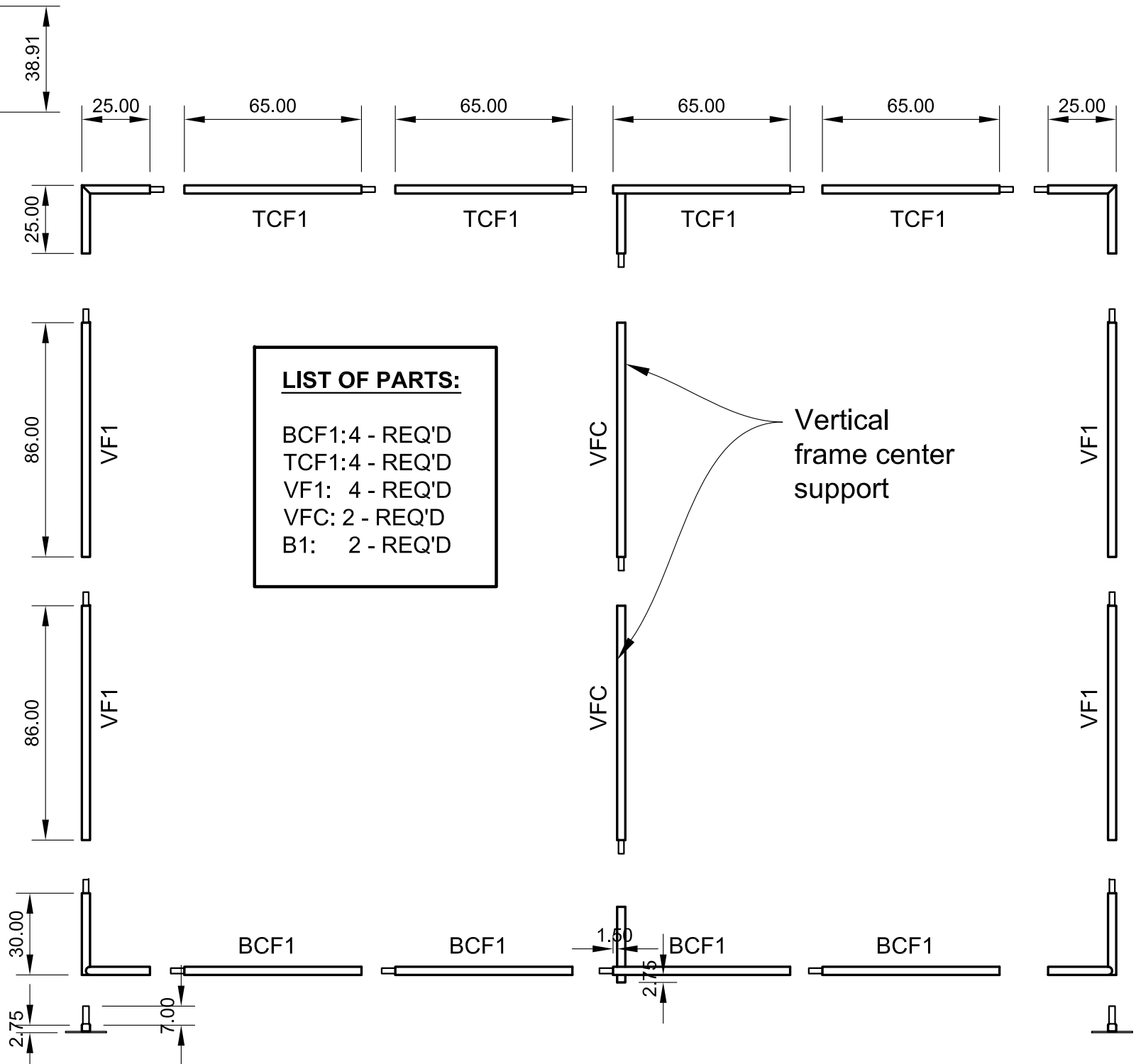
- LIST OF PARTS:**
- BCF1:3 - REQ'D
 - TCF1:3 - REQ'D
 - VF1: 4 - REQ'D
 - B1: 2 - REQ'D

EXPLODED ELEVATION
Scale: 1 : 50

FOR IN-HOUSE REVIEW
DIMENSIONS IN CENTIMETER



CURVED WALL - 2
Scale: 1 : 50



- LIST OF PARTS:**
- BCF1:4 - REQ'D
 - TCF1:4 - REQ'D
 - VF1: 4 - REQ'D
 - VFC: 2 - REQ'D
 - B1: 2 - REQ'D

Vertical frame center support



Actual product may not be exactly as shown. All drawings, specifications, designs and arrangements represented herein are the property of Extension Concepts, and no part thereof shall be copied, disclosed to others, or used in any form whatsoever including any work or project for which they have been prepared, without the express written consent of Extension Concepts.

PROJECT:	STANDARD TENSION FABRIC WALL
CLIENT:	-
ADDRESS:	-

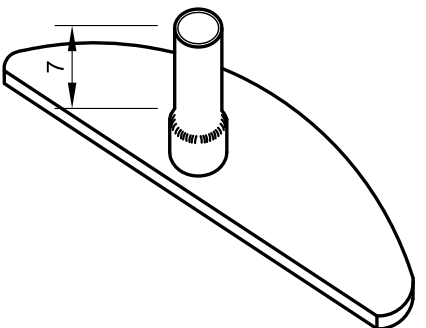
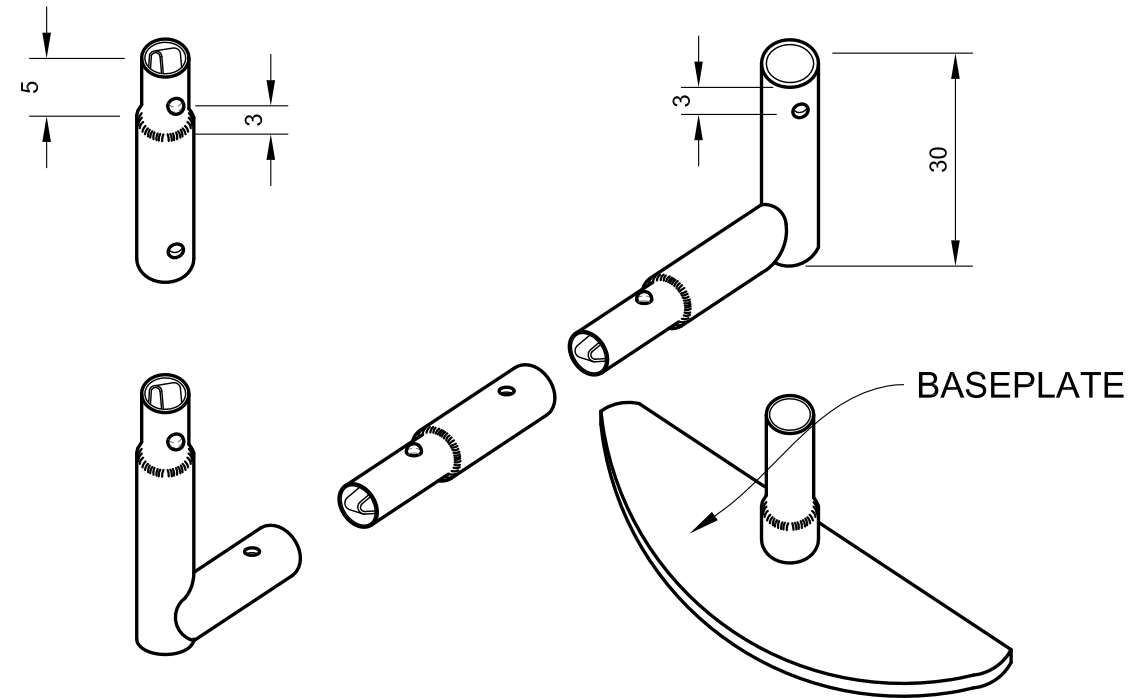
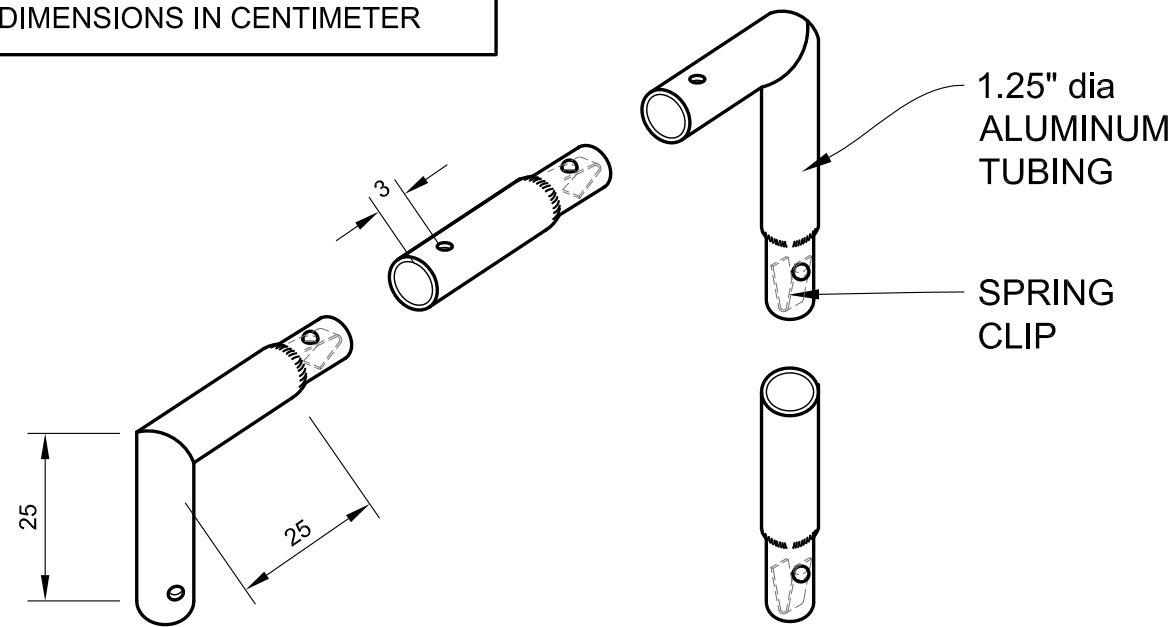
DRAWING:	CURVED WALL - 2
----------	-----------------

DRAWN BY:	SRR	DATE:	11/28/2013
APPROVED BY:		DATE:	
REVISION:	01	DATE:	03/06/2014
REVISION:		DATE:	
REVISION:		DATE:	

SHEET NUMBER:
A-4

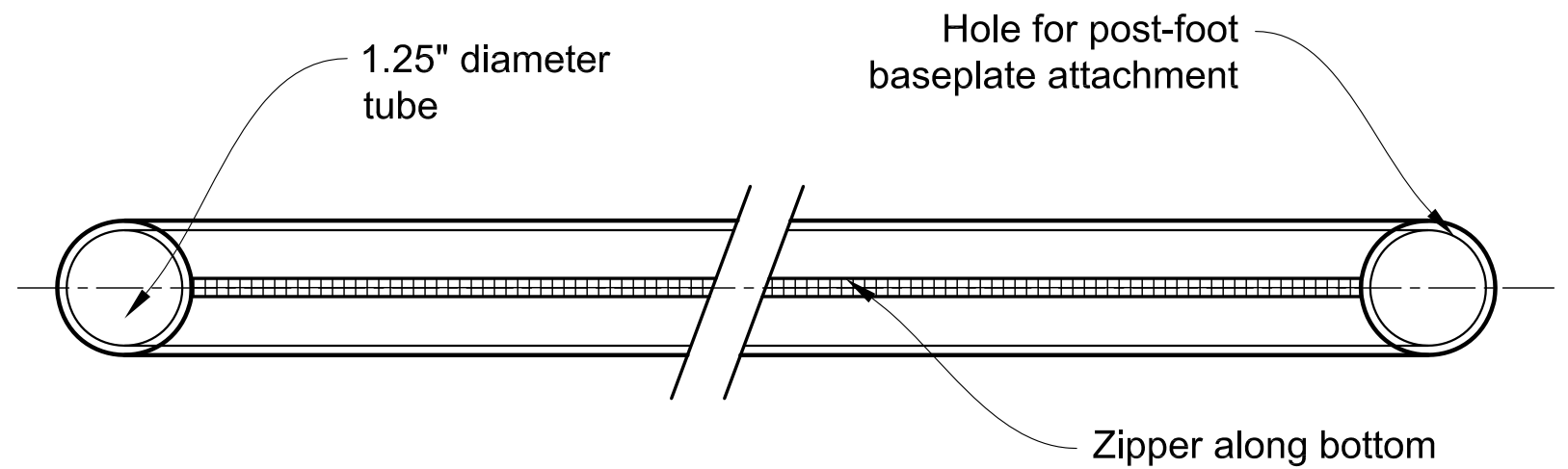
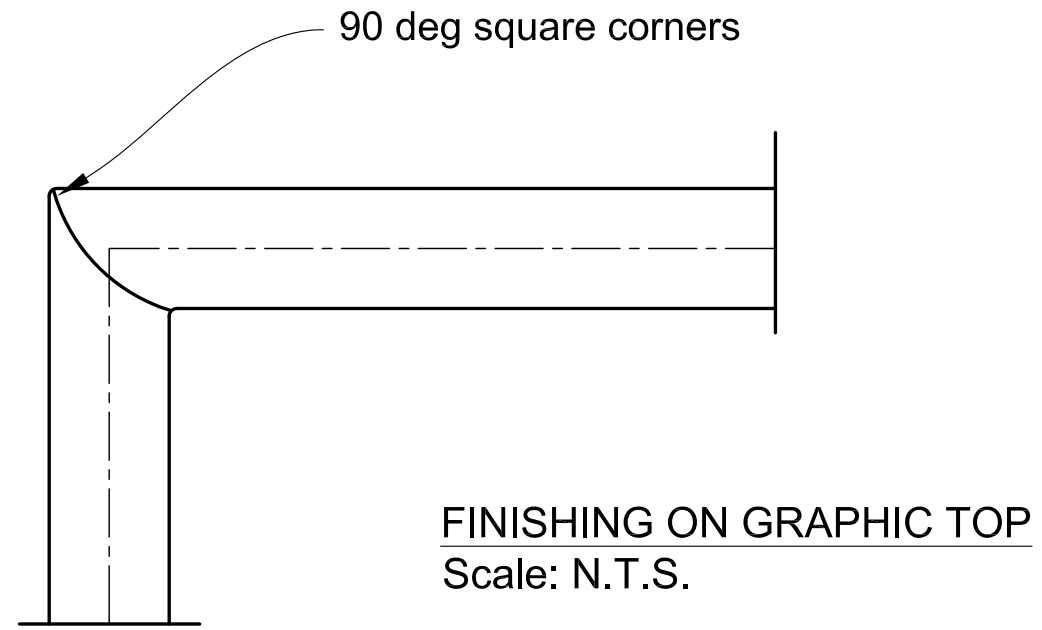
FOR IN-HOUSE REVIEW

DIMENSIONS IN CENTIMETER



TYPICAL "CORNER" JOINT VIEW

Scale: N.T.S.



FINISHING ON GRAPHIC BOTTOM

Scale: N.T.S.



Actual product may not be exactly as shown. All drawings, specifications, designs and arrangements represented herein are the property of Extension Concepts, and no part thereof shall be copied, disclosed to others, or used in any form whatsoever including any work or project for which they have been prepared, without the express written consent of Extension Concepts.

PROJECT:	STANDARD TENSION FABRIC WALL
CLIENT:	-
ADDRESS:	-

DRAWING:	STANDARD JOINTS PROFILE
----------	-------------------------

DRAWN BY:	SRR	DATE:	11/28/2013
APPROVED BY:		DATE:	
REVISION:	01	DATE:	03/06/2014
REVISION:	02	DATE:	04/21/2014
REVISION:		DATE:	

SHEET NUMBER:
A-5