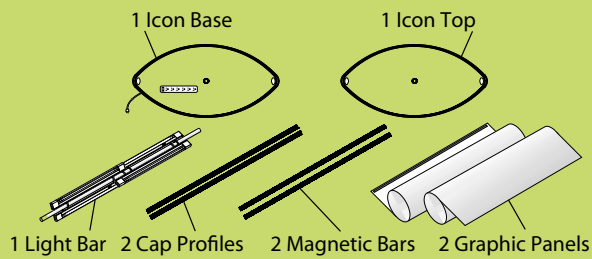


ICON 125 SETUP

Position the ICON 125 base in the desired location.

Note: The ICON 125 base has a power bar built in,

Icon Components



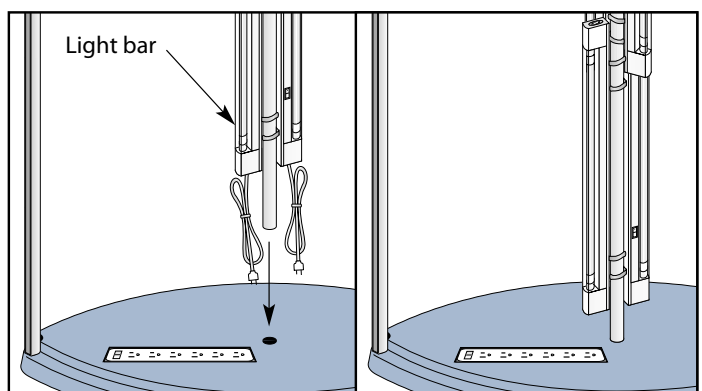
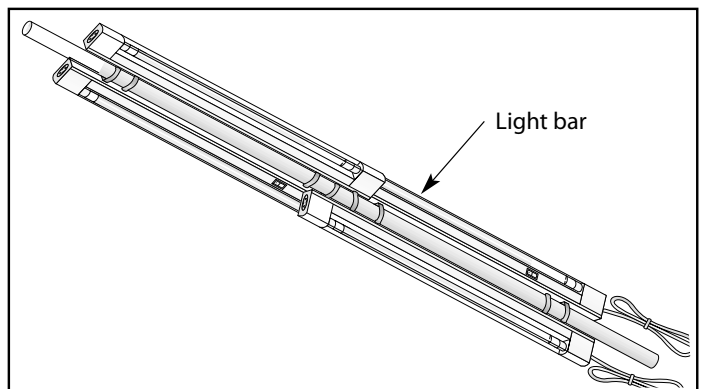
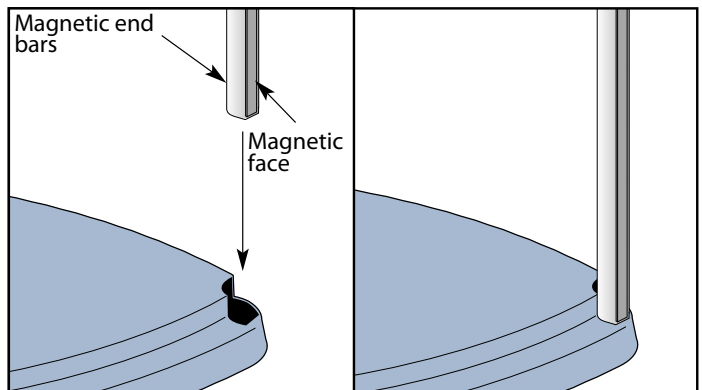
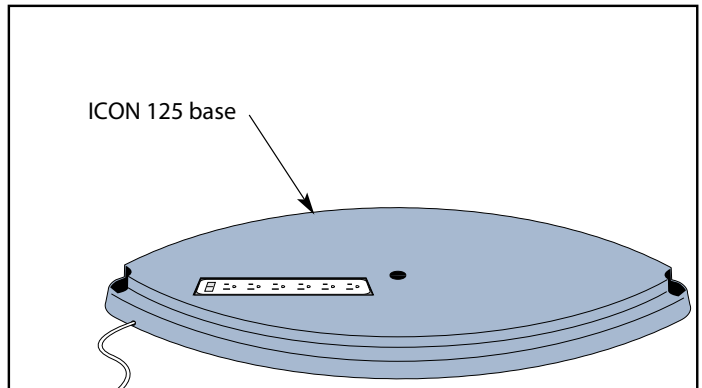
Locate the two magnetic end bars and insert into each end of the ICON 125 base as indicated, with the magnets facing outward.

With four strip lights, the light bar should appear as shown here.

Note: Cords may still be attached.

Insert the end of the light bar into the center hole in the ICON 125 base as shown.

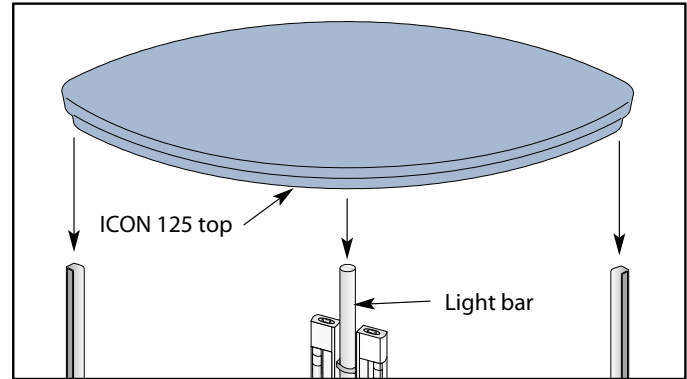
Note: The ends with the cords should be closest to the power bar.



ICON 125 SETUP

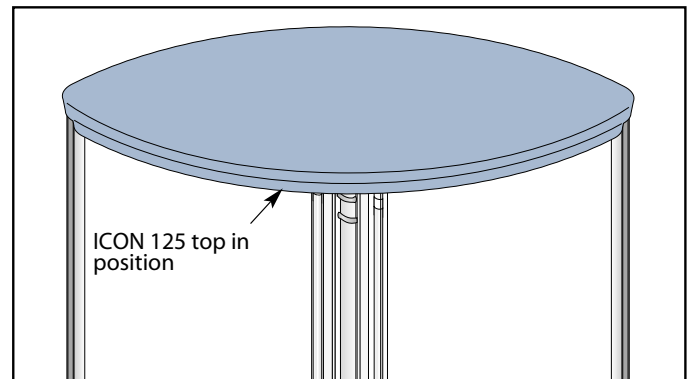
Next, locate the ICON 125 top and position it as shown here.

Lower the top onto the light bar and the two magnetic end bars as indicated.



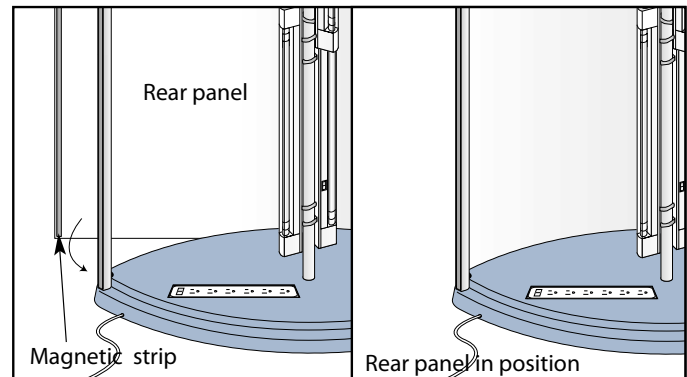
Ensure that all three vertical components are inserted correctly into the corresponding locations in the top.

At this point, connect the power leads from the strip lights to the power bar in the ICON 125 base.



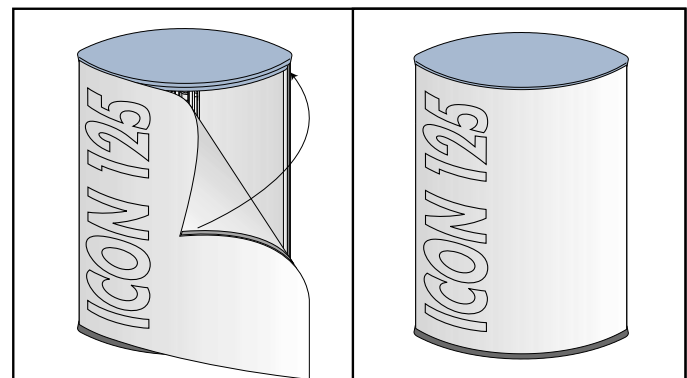
Locate the rear panel and attach the magnetic strips on the back of the panel to the vertical magnetic end bars as shown here.

Note: The power leads have been omitted for clarity.



Now locate the front panel and repeat the previous step as shown here.

Note: Ensure that both panels are attached correctly.



ICON 125 SETUP

Finally, locate the cap profiles and attach them to both sides as shown here.

With the blue and yellow snaps positioned in the center channel of the vertical magnetic end bars, lightly tap the cap profiles to secure them in position.

