



## ASSEMBLY INSTRUCTIONS

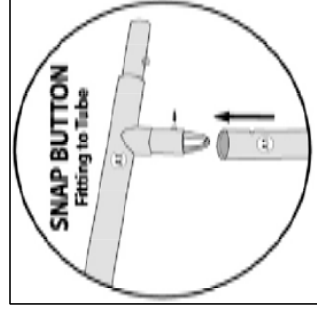
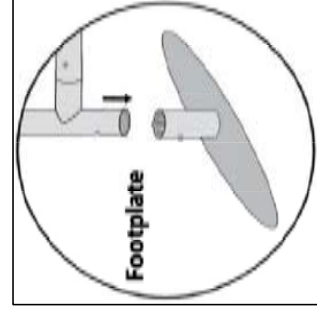
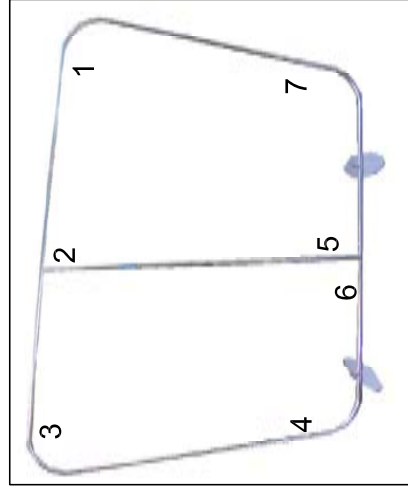
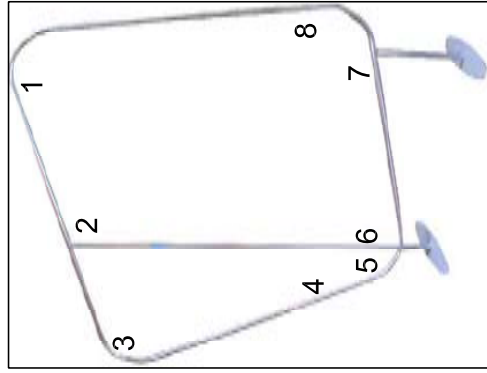
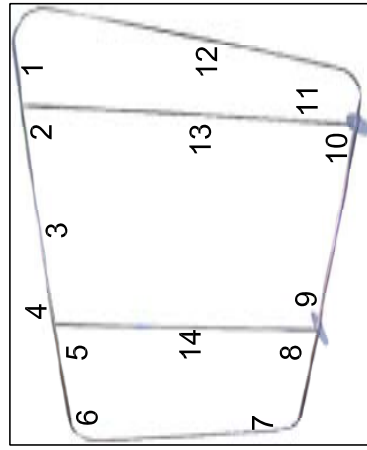
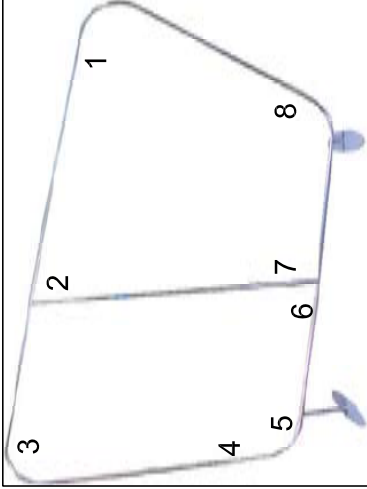
### PARALLA - Freestanding Wall System

#### Instructions

Build frame and apply fabric for sign on either a very clean surface or on a drop cloth. Use white gloves or make sure to have very clean hands to assemble frame to keep dirt and unwanted prints away from fabric.

Assemble frame by joining tubes in numerical order by matching numbered tubes. For ease of assembly, avoid twisting or bending when connecting aluminum tubes. The tubes should slide together in line from the button to the hole. Make sure the button is fully engaged for a secure joint. If you are having trouble connecting the final joint, loosen nearby connections and assemble simultaneously.

When applying the pillowcase covers, make sure to first orient the covers on the frame correctly. Carefully and evenly slip the covers on and zipper closed. Adjust fabric by pulling and twisting gently on seams for best fit.



#### PARALLA SETUP