

Satellite



Assembly Instructions



Contents

Set Up Instructions

Assembly of the Satellite2

NETWORK, The Portables, High Impact Visual Displays are registered trademarks of ODC Exhibit Systems Ltd.

Head Office, Vancouver: #109-3551 Viking Way, Richmond, BC, V6V 1W1. Phone : (604) 276-2366 Fax : (604) 276-0860

National Toll-Free Support Line: 1-800-663-1737

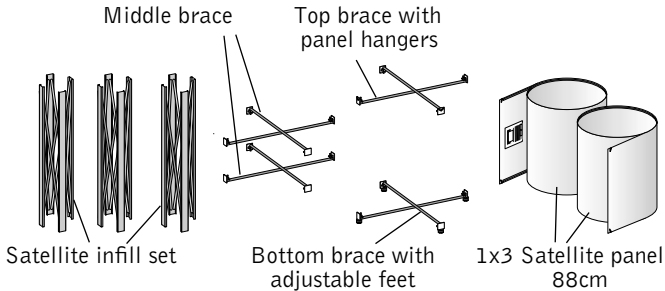
Toronto: (416) 494-9553 Calgary: (403) 261-5980 Cambridge: (519) 623-2989 Edmonton: (780) 413-4211 Saskatoon: (306) 651-1537
Ottawa: (613) 723-1849 Kelowna: (250) 496-5808 Winnipeg: (204) 943-2728 Victoria: (250) 388-4373 London: (519) 644-1592



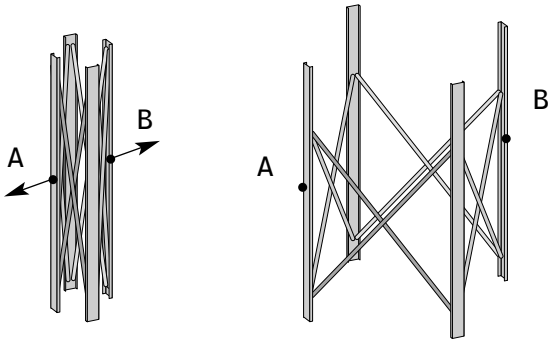
Assembly of the Satellite

Position the bottom brace in the desired location.
NOTE: The bottom brace has the adjustable feet on it.

Satellite Components

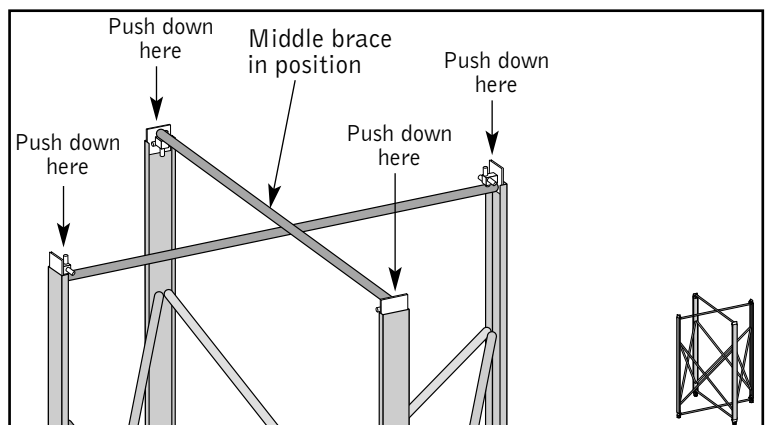
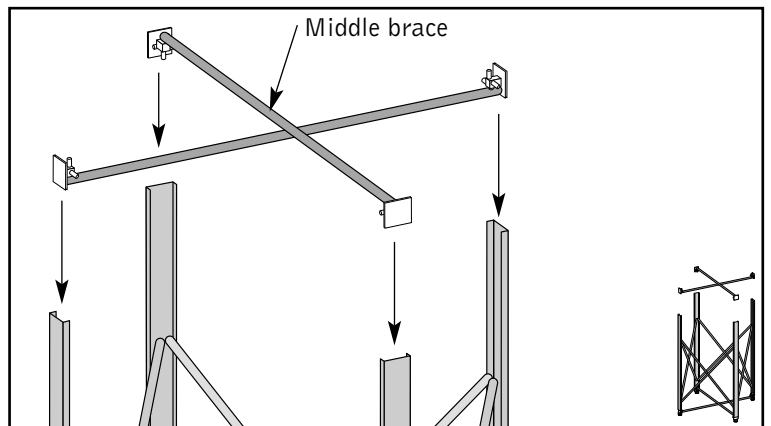
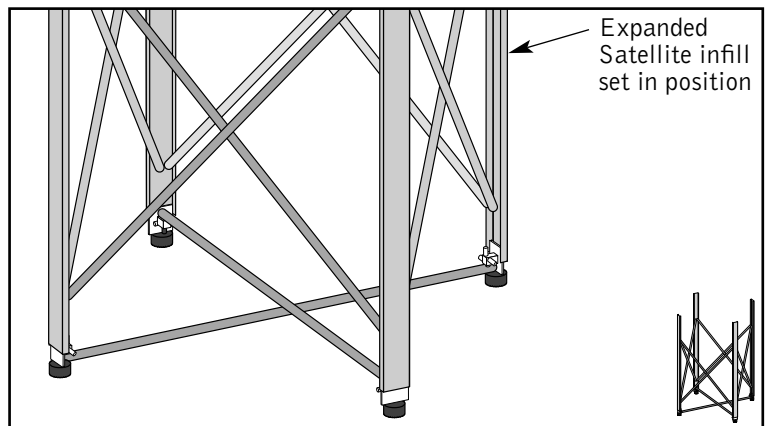
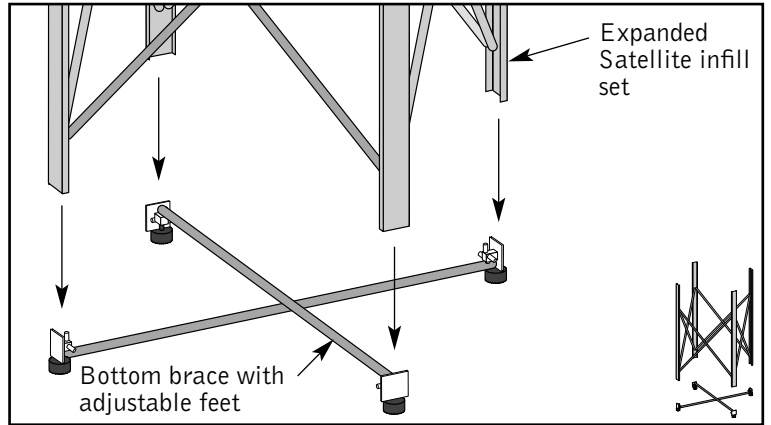


To expand a Satellite infill set, hold it at points 'A' & 'B' as shown below, then pull apart until it is able to fit onto the braces. Attach the first infill set to the bottom brace as shown. Push down until it clicks into place.

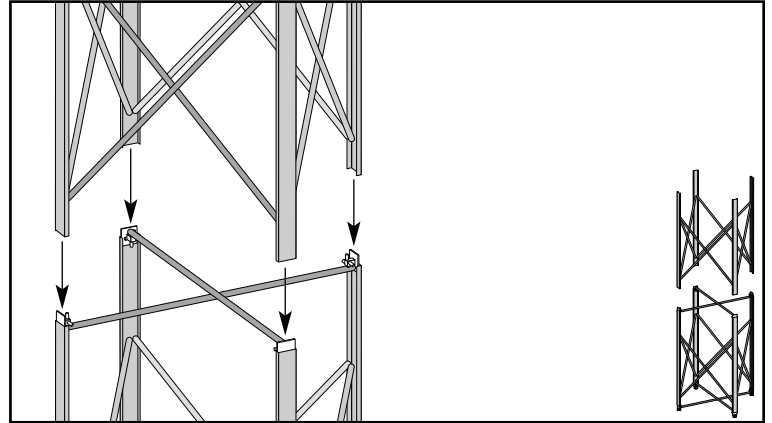


Locate one of the middle braces. Attach the middle brace to the top of the Satellite infill set as shown here.

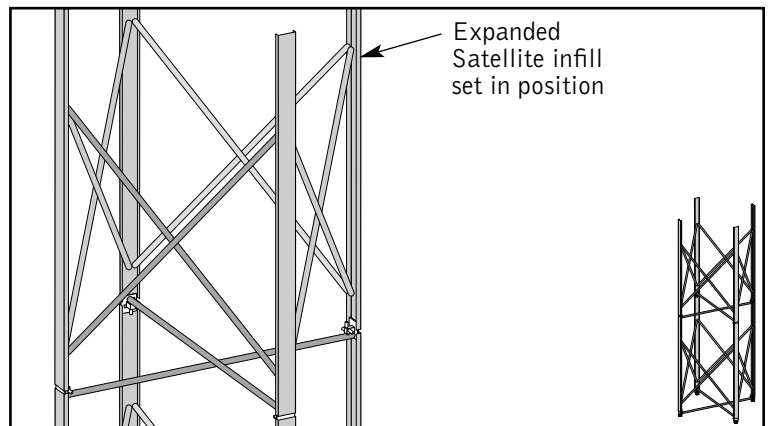
With the middle brace in position, push down on each hub until they click into place.



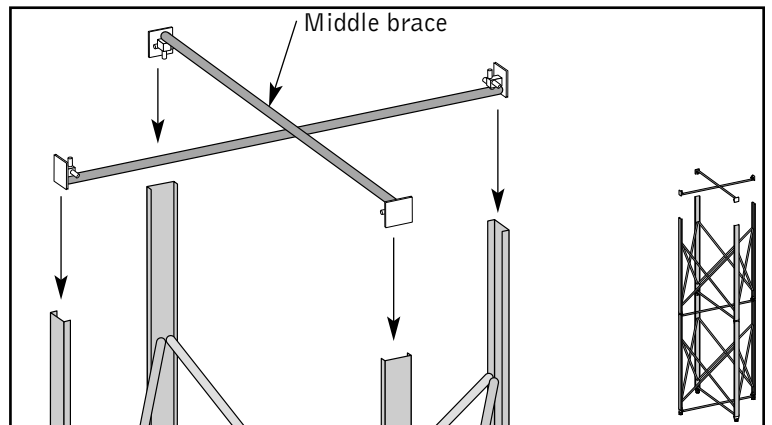
Expand the next Satellite infill set as before. Attach this satellite infill set to the lower section as shown here.



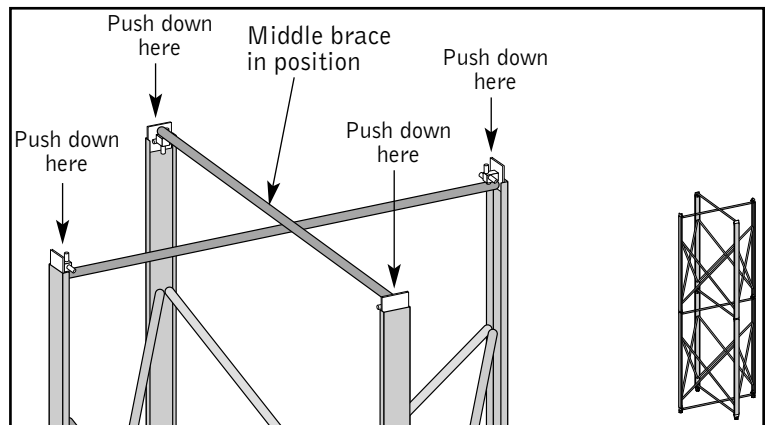
Push down on the hub locations, as before, until they click into place to ensure all connections are secure.



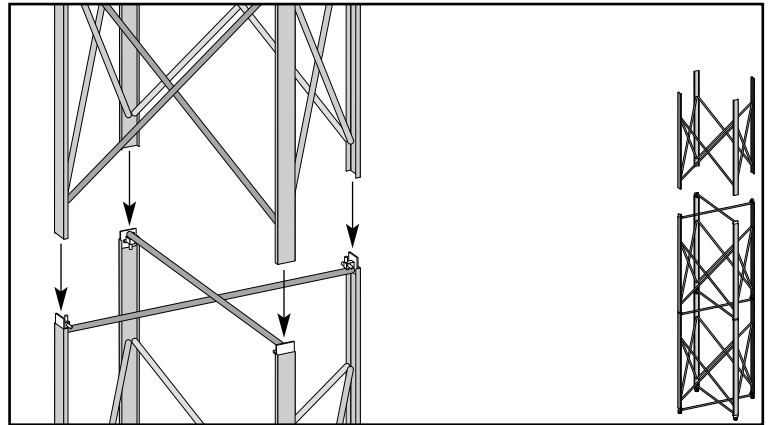
Locate the next middle brace. Attach it to the top of the Satellite infill set as shown here.



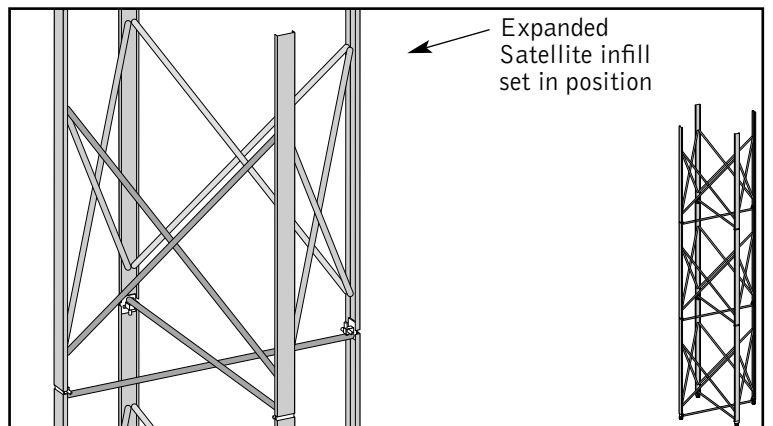
With the next middle brace in position, push down on each hub until they click into place.



Expand the last Satellite infill set as before. Attach this satellite infill set to the lower section as shown here.

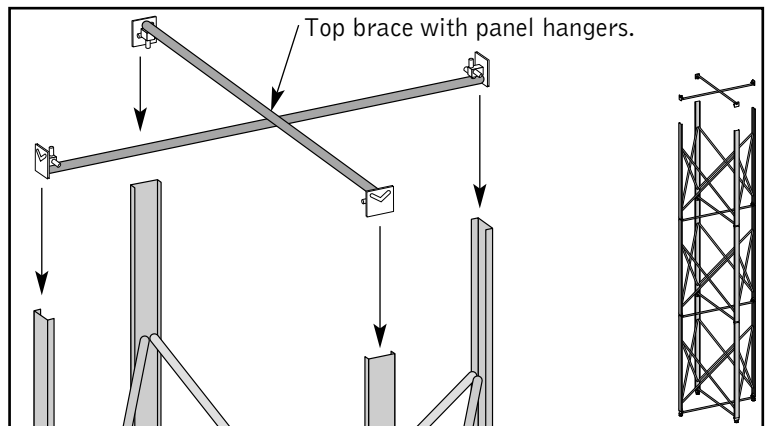
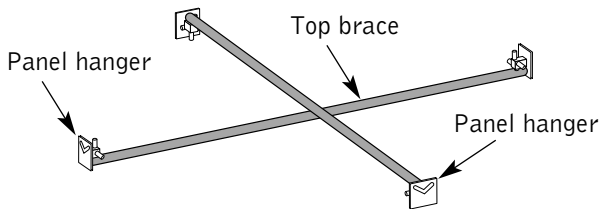


Push down on the hub locations, as before, until they click into place to ensure all connections are secure.

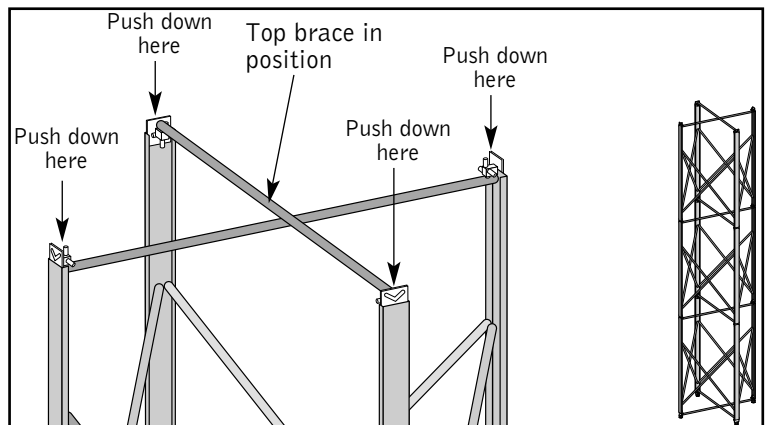


Locate the top brace.
Attach it to the top of the Satellite infill set as shown here.

NOTE: The top brace has the panel hangers on all four hubs

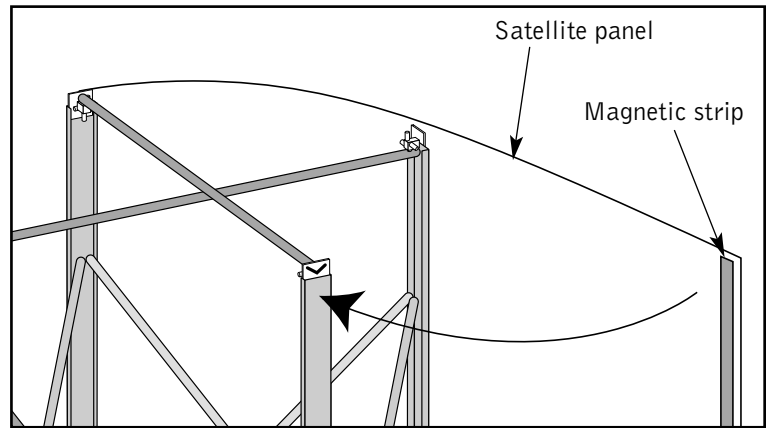


With the middle brace in position, push down on each hub until they click into place.

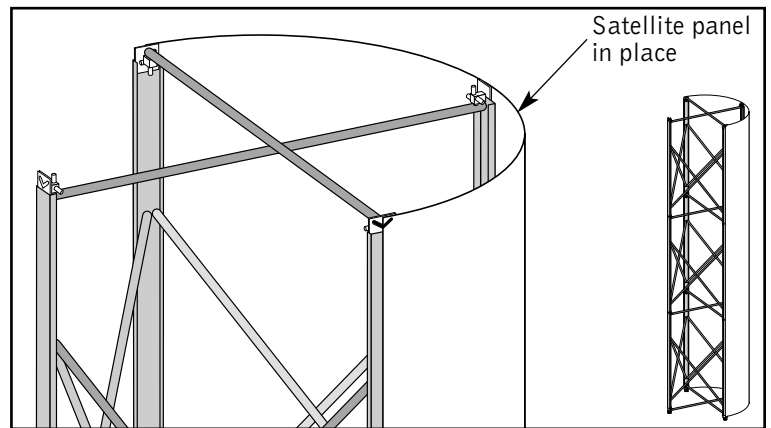


Locate one of the panels and attach the magnetic strips on the back of the panel to the magnetic strips on the satellite infill sets as shown here.

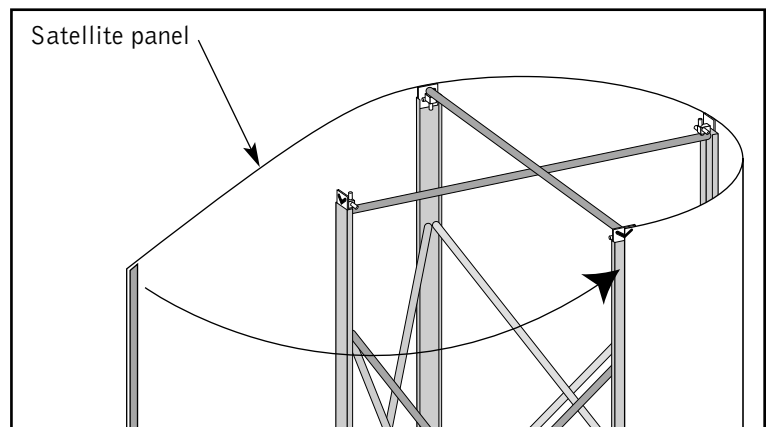
NOTE: For details on how to hang a panel correctly, refer to the relevant details in the network instruction manual.



Ensure the panels are hung straight to remove any 'kinking'



Locate the remaining panel and attach the magnetic strips on the back of the panel to the magnetic strips on the Satellite infill sets as shown here.



With the last panel in place, check to make sure the panels are hung straight and remove any 'kinking'

