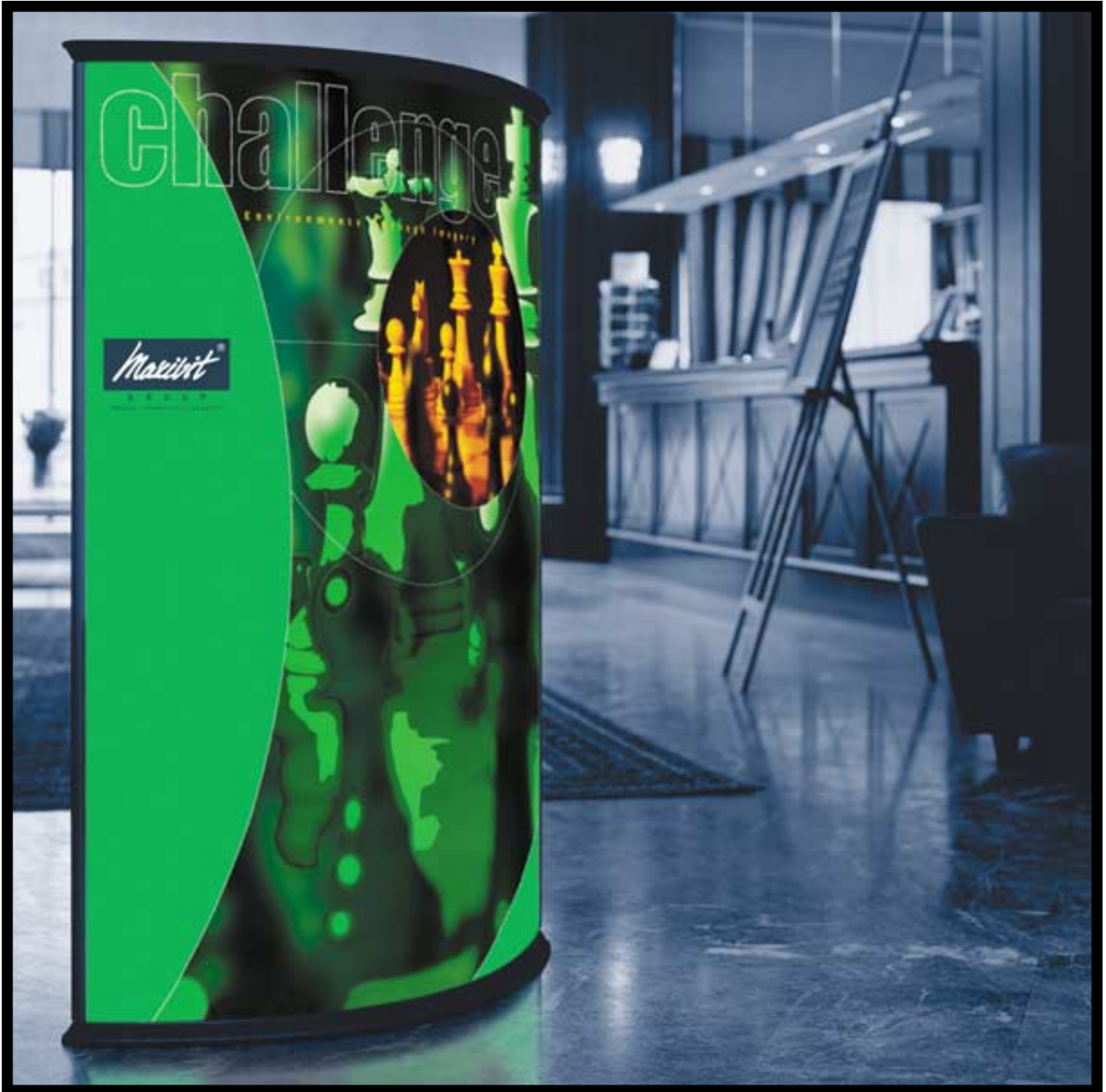


ICON 125



Assembly Instructions



Contents

Set Up Instructions

Assembly of the ICON 125.....2

NETWORK, The Portables, High Impact Visual Displays are registered trademarks of ODC Exhibit Systems Ltd.

Head Office, Vancouver: #109-3551 Viking Way, Richmond, BC, V6V 1W1. Phone : (604) 276-2366 Fax : (604) 276-0860

National Toll-Free Support Line: 1-800-663-1737

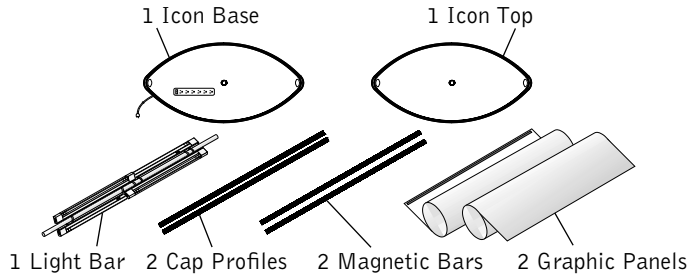
Toronto: (416) 494-9553 Calgary: (403) 261-5980 Cambridge: (519) 623-2989 Edmonton: (780) 413-4211 Saskatoon: (306) 651-1537
Ottawa: (613) 723-1849 Kelowna: (250) 496-5808 Winnipeg: (204) 943-2728 Victoria: (250) 388-4373 London: (519) 644-1592



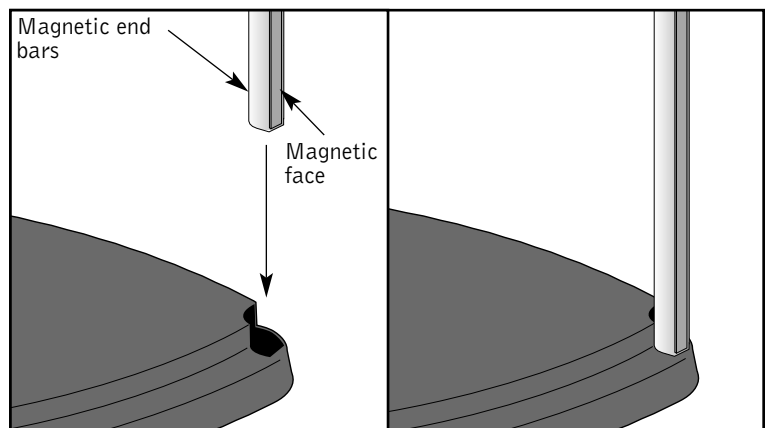
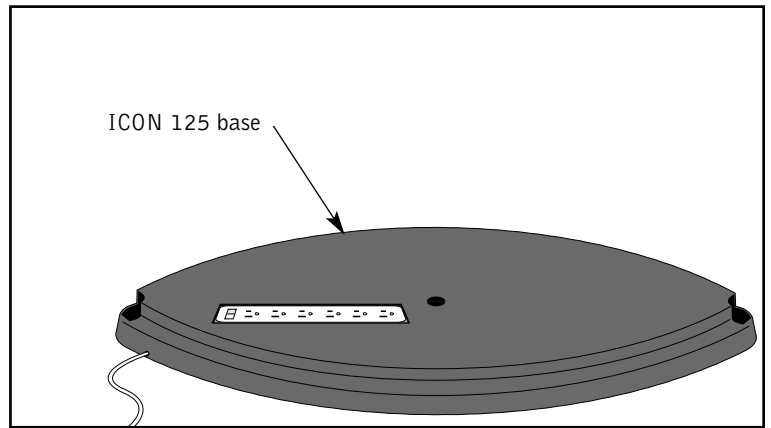
Assembly of the ICON 125

Position the ICON 125 base in the desired location.
NOTE: The ICON 125 base has the power bar built in.

Icon Components

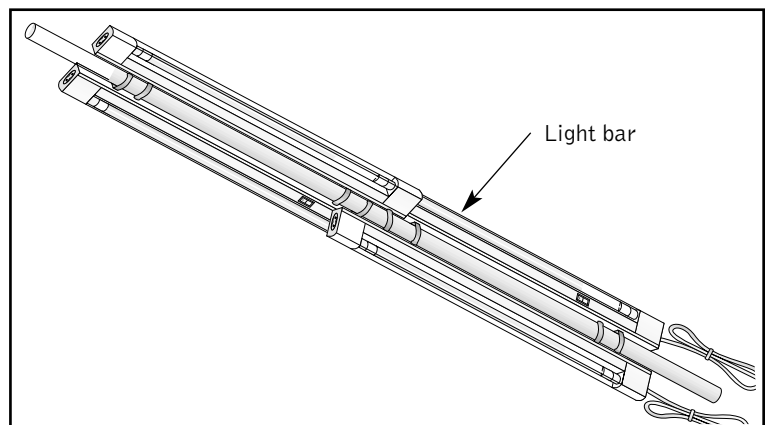


Locate the two magnetic end bars and insert into each end of the ICON 125 base as indicated, with the magnets facing out.



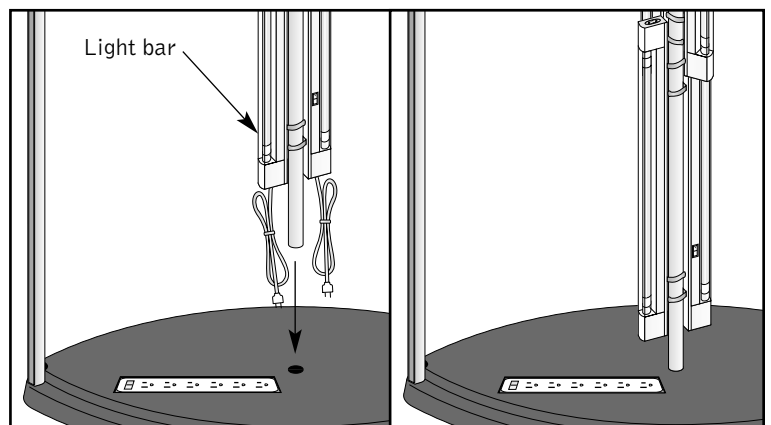
With four strip lights, the light bar should appear as shown here.

NOTE: Cords may still be attached.

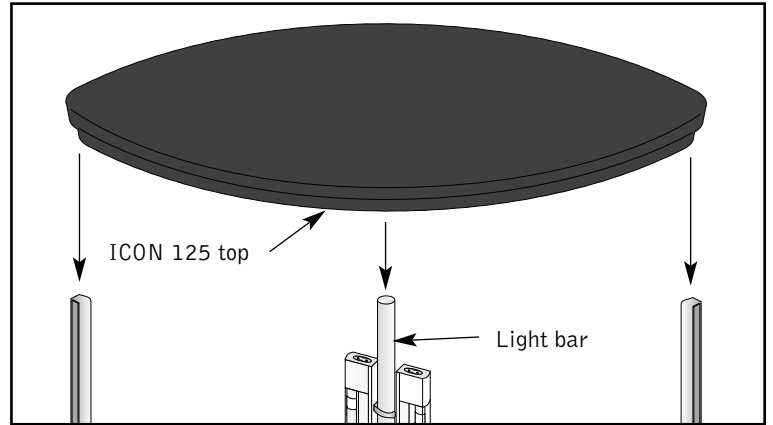


Insert the end of the light bar into the centre hole in the ICON 125 base as shown.

NOTE: The ends with the cords should be closest to the power bar.

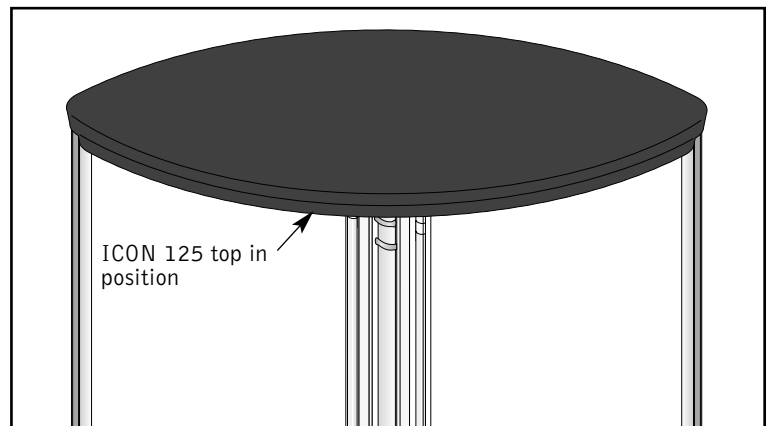


Next, locate the ICON 125 top and position it as shown here.
Lower the top onto the light bar and the two magnetic end bars as indicated.



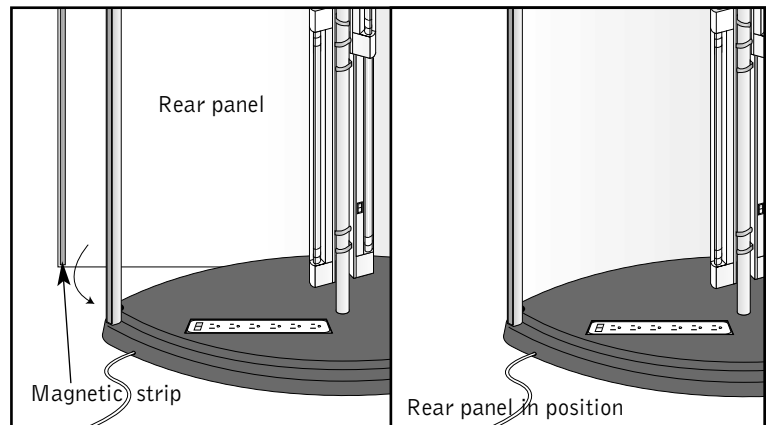
Ensure all three vertical components are inserted correctly into the corresponding locations in the top.

At this point, connect the power leads from the strip lights to the power bar in the ICON 125 base.



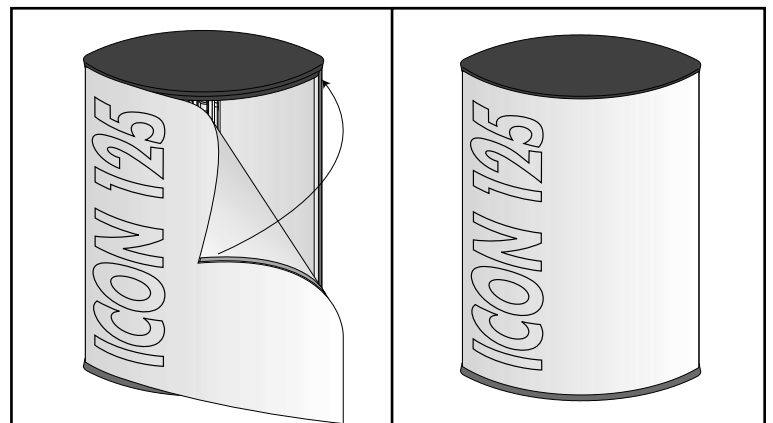
Locate the rear panel and attach the magnetic strips on the back of the panel to the vertical magnetic end bars as shown here.

NOTE : The power leads have been omitted for clarity.



Now locate the front panel and repeat the previous step as shown here.

NOTE : Ensure both the panels are attached correctly.



Finally, locate the cap profiles and attach them to both sides as shown here.
With the blue and yellow snaps positioned in the centre channel of the vertical magnetic end bars, lightly tap the cap profiles to secure them in position.

